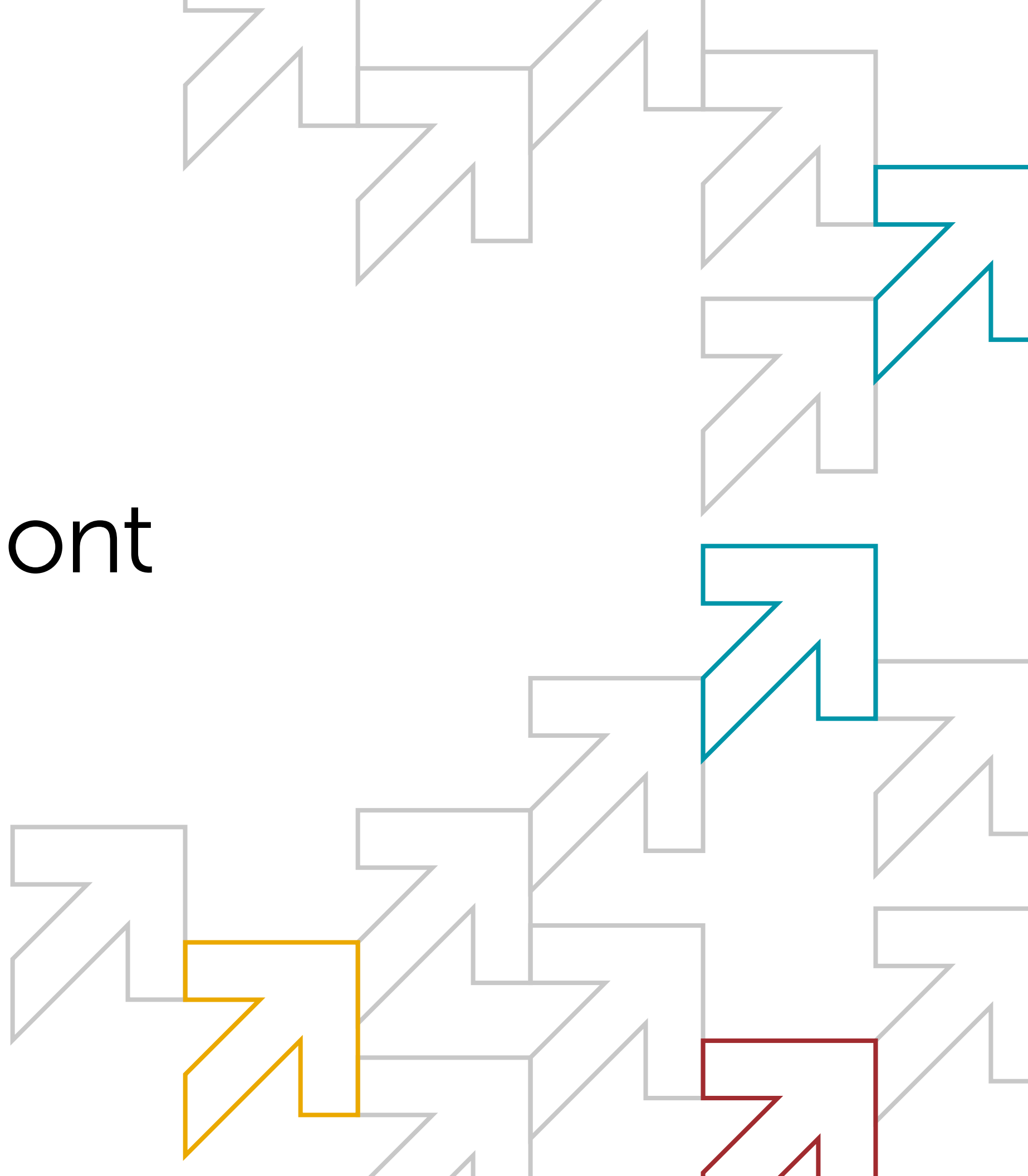




Wayfinding Program

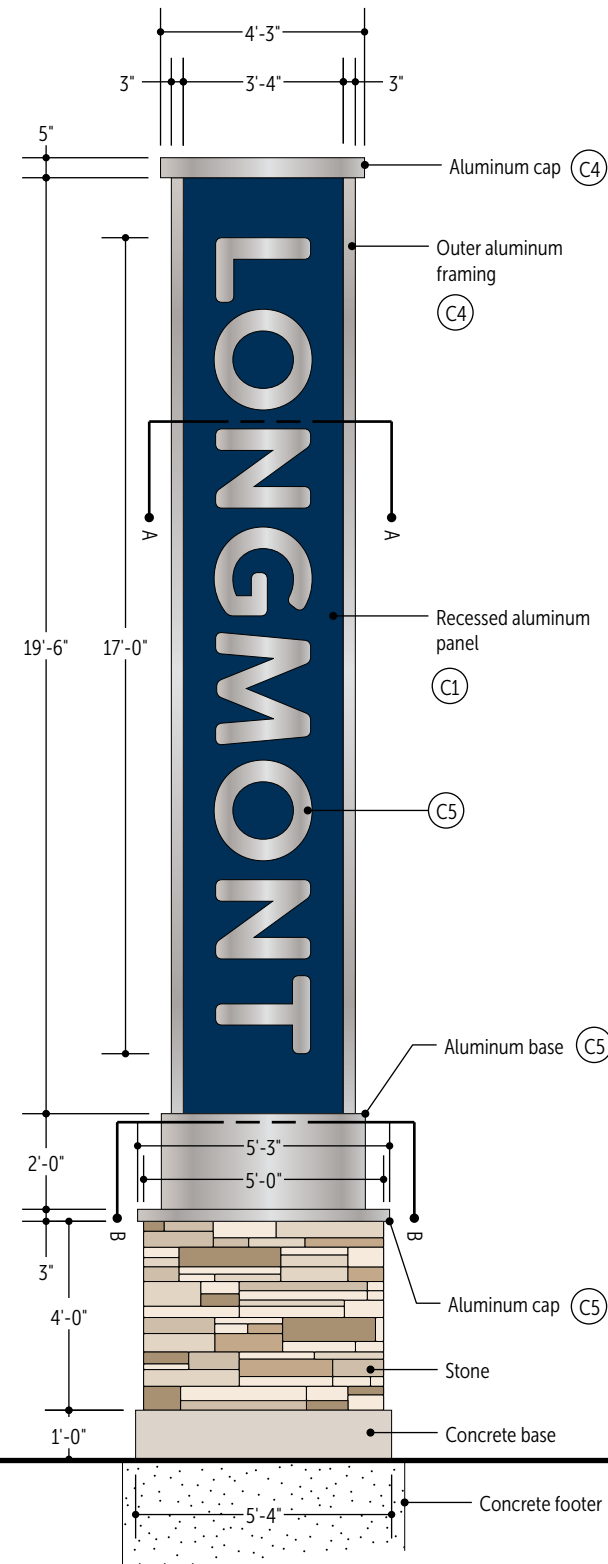
City of Longmont

60% DESIGN INTENT | LON1693 | SEPTEMBER 2021

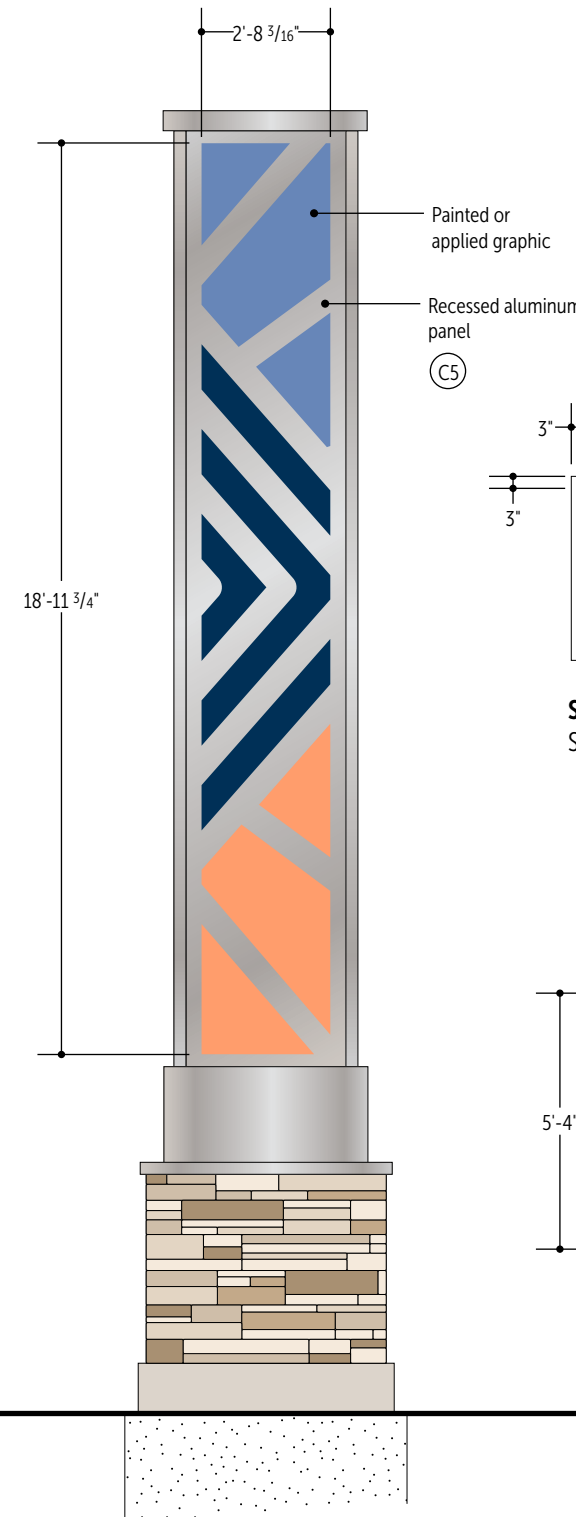


GENERAL NOTES

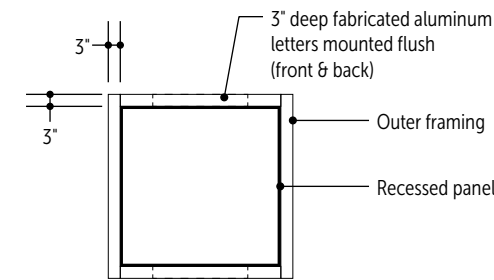
1. Sign contractor shall be responsible for design and engineering of supports, anchors and miscellaneous steel or metal required for installation.
2. The sign contractor's structural engineer shall be licensed in the State of Colorado and certify all connections and support details.
3. Isolate dissimilar materials as required.
4. Field dimensions shall be taken by the sign contractor prior to preparation of shop drawings and fabrication wherepossible. It is the responsibility of the sign contractor to site verify all sign locations for accuracy, fit, and potential obstacles. Sign contractor shall notify appropriate person(s) of any issues, discrepancies and potential obstacles per the attached Performance Specifications, contract or specified communication process.
5. It is the responsibility of the sign contractor to contact appropriate organizations to verify locations of underground utilities.
6. Sign contractor must obtain all permits and field inspection approvals necessary to complete work per City requirements. All sign locations need to be located and staked by sign contractor and approved by the City prior to installation.
7. Masonry dimensions are approximate; sign contractor to verify and adjust as needed. Final dimensions must appear on shop drawings for review and approval.
8. Sign contractor must clean and seal masonry to prevent moisture, discoloration and other defects due to weather and environmental conditions.
9. Sign contractor must submit brick, stone, and mortar samples for review and approval.
10. Sign contractor shall follow any additional requirements presented in the attached Performance Specifications and Design Intent Documents.



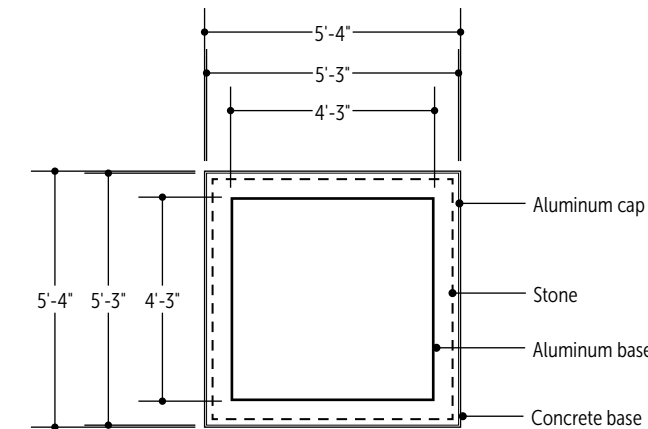
ELEVATION (DOUBLE-SIDED)
SCALE: 1/2"=1'



SIDE VIEW (DOUBLE-SIDED)
SCALE: 1/2"=1'



SECTION A
SCALE: 1/2"=1'



SECTION B
SCALE: 1/2"=1'

date 09.02.20

contact

project LON1693

phase 60% Design Intent revision 0

NOT FOR CONSTRUCTION

These drawings and notes are for the sole purpose of expressing visual design intent and are not intended for actual fabrication purposes. Sign Contractor accepts total responsibility for final material selection, fabrication and installation methods. Electronic files are not construction documents and cannot be relied upon as identical to construction documents because of changes or errors induced by translation, transmission, or alterations while under the control of others. Use of information contained in the electronic files is at the user's sole risk and without liability to Design Professional and its consultants. Refer to provided performance specifications for details on designer expectations of Fabricator and fabrication process. Copyright © Guide Studio, Inc. All rights reserved.

sheet



13110 Shaker Square, Suite 101
Cleveland, Ohio 44120
guidestudio.com

pm C. Fromet
design K. Fromet

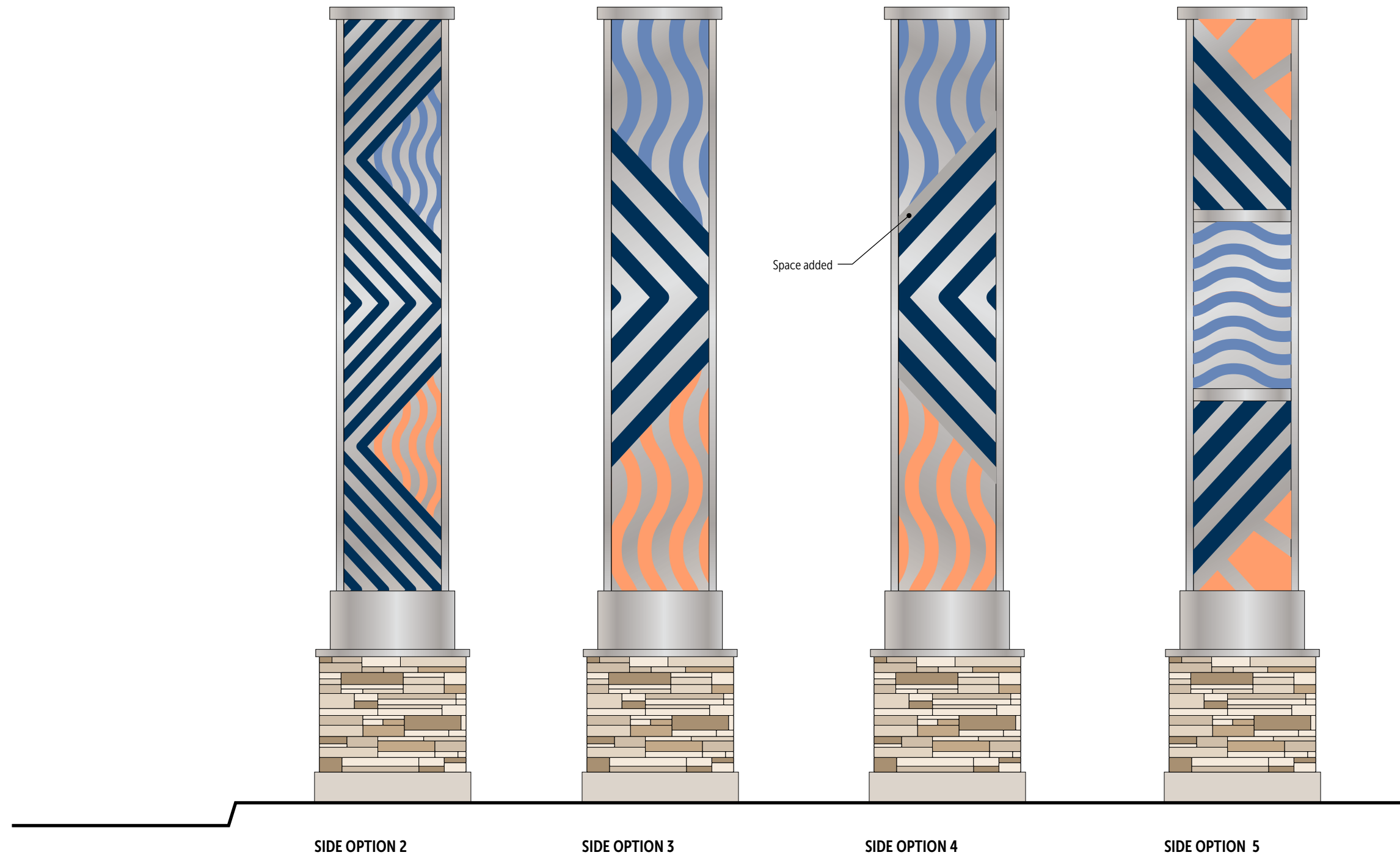
City of Longmont
Wayfinding Program

City Gateway
Sign Type #

1

GENERAL NOTES

1. Sign contractor shall be responsible for design and engineering of supports, anchors and miscellaneous steel or metal required for installation.
2. The sign contractor's structural engineer shall be licensed in the State of Colorado and certify all connections and support details.
3. Isolate dissimilar materials as required.
4. Field dimensions shall be taken by the sign contractor prior to preparation of shop drawings and fabrication wherepossible. It is the responsibility of the sign contractor to site verify all sign locations for accuracy, fit, and potential obstacles. Sign contractor shall notify appropriate person(s) of any issues, discrepancies and potential obstacles per the attached Performance Specifications, contract or specified communication process.
5. It is the responsibility of the sign contractor to contact appropriate organizations to verify locations of underground utilities.
6. Sign contractor must obtain all permits and field inspection approvals necessary to complete work per City requirements. All sign locations need to be located and staked by sign contractor and approved by the City prior to installation.
7. Masonry dimensions are approximate; sign contractor to verify and adjust as needed. Final dimensions must appear on shop drawings for review and approval.
8. Sign contractor must clean and seal masonry to prevent moisture, discoloration and other defects due to weather and environmental conditions.
9. Sign contractor must submit brick, stone, and mortar samples for review and approval.
10. Sign contractor shall follow any additional requirements presented in the attached Performance Specifications and Design Intent Documents.



date 09.02.20



13110 Shaker Square, Suite 101
Cleveland, Ohio 44120
guidestudio.com

contact

pm C. Fromet
design K. Fromet

project LON1693

City of Longmont
Wayfinding Program

phase 60% Design Intent revision 0

City Gateway
Sign Type #

NOT FOR CONSTRUCTION

These drawings and notes are for the sole purpose of expressing visual design intent and are not intended for actual fabrication purposes. Sign Contractor accepts total responsibility for final material selection, fabrication and installation methods. Electronic files are not construction documents and cannot be relied upon as identical to construction documents because of changes or errors induced by translation, transmission, or alterations while under the control of others. Use of information contained in the electronic files is at the user's sole risk and without liability to Design Professional and its consultants. Refer to provided performance specifications for details on designer expectations of Fabricator and fabrication process.
Copyright © Guide Studio, Inc. All rights reserved.

sheet

2



date 09.02.20



13110 Shaker Square, Suite 101
Cleveland, Ohio 44120
guidestudio.com

contact

pm C. Fromet

design K. Fromet

project LON1693

City of Longmont
Wayfinding Program

phase 60% Design Intent revision 0

City Gateway
Sign Type #

NOT FOR CONSTRUCTION

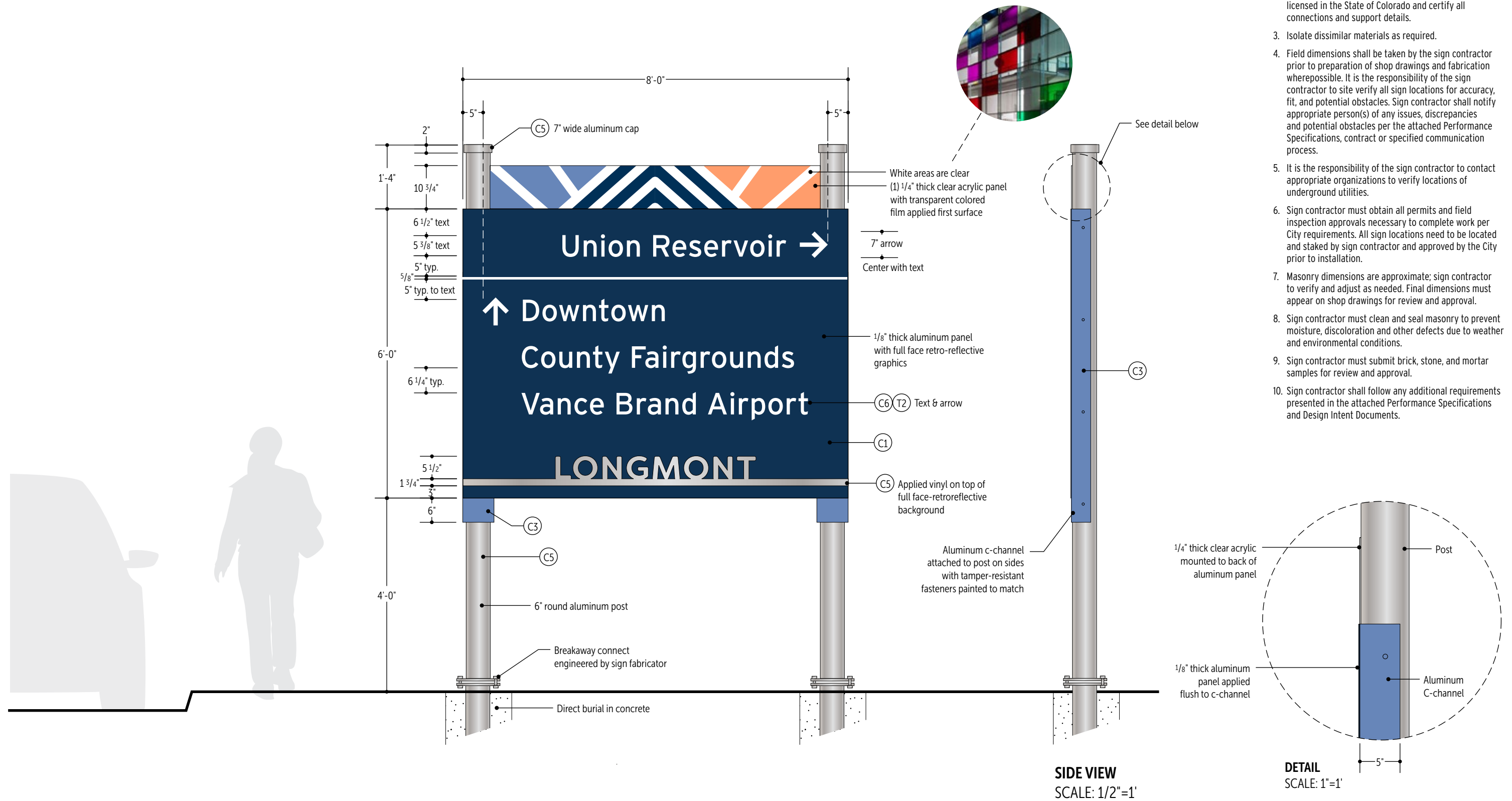
These drawings and notes are for the sole purpose of expressing visual design intent and are not intended for actual fabrication purposes. Sign Contractor accepts total responsibility for final material selection, fabrication and installation methods. Electronic files are not construction documents and cannot be relied upon as identical to construction documents because of changes or errors induced by translation, transmission, or alterations while under the control of others. Use of information contained in the electronic files is at the user's sole risk and without liability to Design Professional and its consultants. Refer to provided performance specifications for details on designer expectations of Fabricator and fabrication process.
Copyright © Guide Studio, Inc. All rights reserved.

sheet

3

GENERAL NOTES

1. Sign contractor shall be responsible for design and engineering of supports, anchors and miscellaneous steel or metal required for installation.
2. The sign contractor's structural engineer shall be licensed in the State of Colorado and certify all connections and support details.
3. Isolate dissimilar materials as required.
4. Field dimensions shall be taken by the sign contractor prior to preparation of shop drawings and fabrication wherepossible. It is the responsibility of the sign contractor to site verify all sign locations for accuracy, fit, and potential obstacles. Sign contractor shall notify appropriate person(s) of any issues, discrepancies and potential obstacles per the attached Performance Specifications, contract or specified communication process.
5. It is the responsibility of the sign contractor to contact appropriate organizations to verify locations of underground utilities.
6. Sign contractor must obtain all permits and field inspection approvals necessary to complete work per City requirements. All sign locations need to be located and staked by sign contractor and approved by the City prior to installation.
7. Masonry dimensions are approximate; sign contractor to verify and adjust as needed. Final dimensions must appear on shop drawings for review and approval.
8. Sign contractor must clean and seal masonry to prevent moisture, discoloration and other defects due to weather and environmental conditions.
9. Sign contractor must submit brick, stone, and mortar samples for review and approval.
10. Sign contractor shall follow any additional requirements presented in the attached Performance Specifications and Design Intent Documents.



date 09.02.20

contact

project LON1693

phase 60% Design Intent revision 0

NOT FOR CONSTRUCTION

These drawings and notes are for the sole purpose of expressing visual design intent and are not intended for actual fabrication purposes. Sign Contractor accepts total responsibility for final material selection, fabrication and installation methods. Electronic files are not construction documents and cannot be relied upon as identical to construction documents because of changes or errors induced by translation, transmission, or alterations while under the control of others. Use of information contained in the electronic files is at the user's sole risk and without liability to Design Professional and its consultants. Refer to provided performance specifications for details on designer expectations of Fabricator and fabrication process. Copyright © Guide Studio, Inc. All rights reserved.

sheet



13110 Shaker Square, Suite 101
Cleveland, Ohio 44120
guidestudio.com

pm C. Fromet
design K. Fromet

City of Longmont
Wayfinding Program

Large Directional
Sign Type

4



date 09.02.20

Guide

13110 Shaker Square, Suite 101
Cleveland, Ohio 44120
guidestudio.com

contact

pm C. Fromet
design K. Fromet

project LON1693

City of Longmont
Wayfinding Program

phase 60% Design Intent revision 0

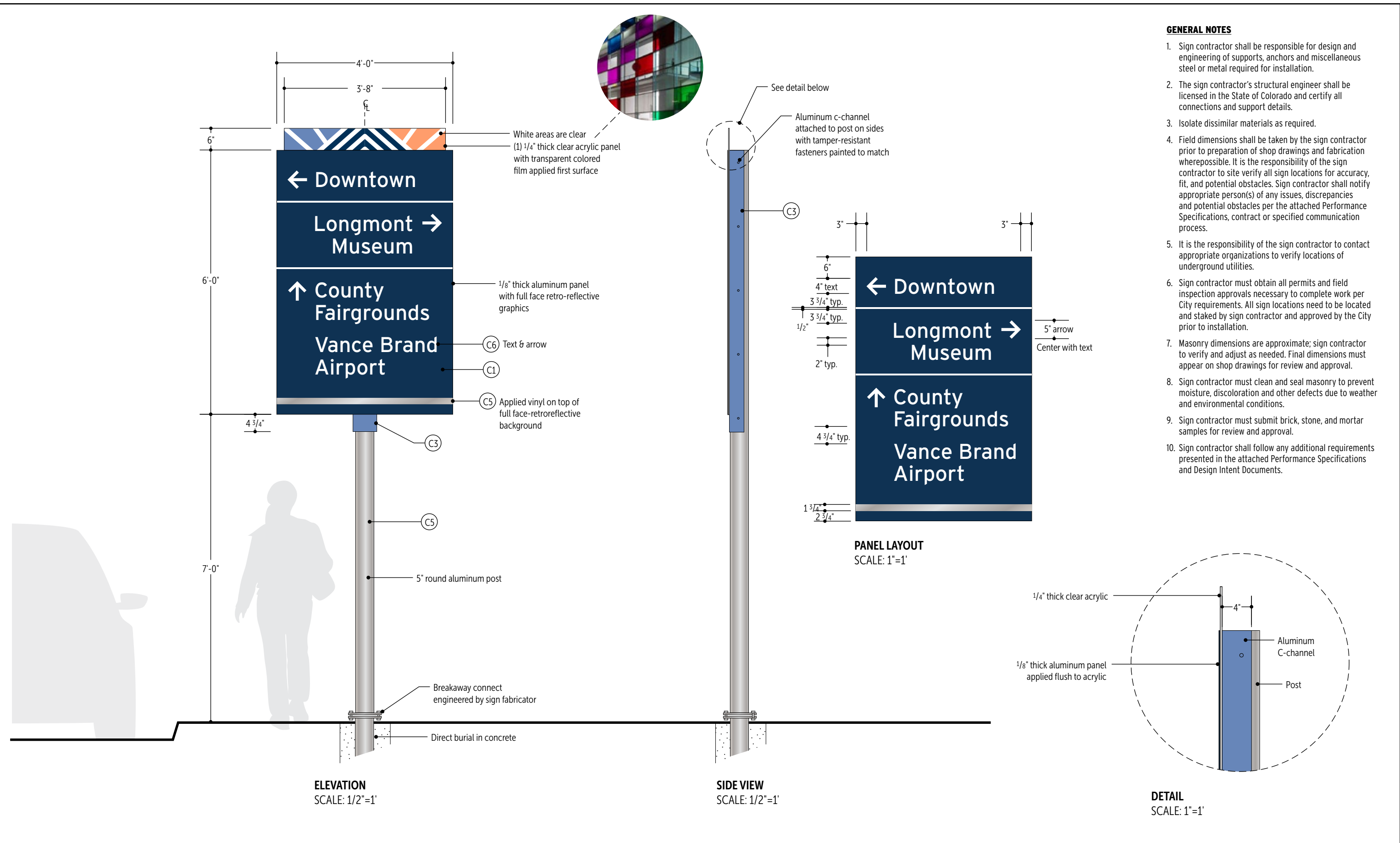
Large Directional
Sign Type #

NOT FOR CONSTRUCTION

These drawings and notes are for the sole purpose of expressing visual design intent and are not intended for actual fabrication purposes. Sign Contractor accepts total responsibility for final material selection, fabrication and installation methods. Electronic files are not construction documents and cannot be relied upon as identical to construction documents because of changes or errors induced by translation, transmission, or alterations while under the control of others. Use of information contained in the electronic files is at the user's sole risk and without liability to Design Professional and its consultants. Refer to provided performance specifications for details on designer expectations of Fabricator and fabrication process.
Copyright © Guide Studio, Inc. All rights reserved.

sheet

5



- GENERAL NOTES**
1. Sign contractor shall be responsible for design and engineering of supports, anchors and miscellaneous steel or metal required for installation.
 2. The sign contractor's structural engineer shall be licensed in the State of Colorado and certify all connections and support details.
 3. Isolate dissimilar materials as required.
 4. Field dimensions shall be taken by the sign contractor prior to preparation of shop drawings and fabrication wherepossible. It is the responsibility of the sign contractor to site verify all sign locations for accuracy, fit, and potential obstacles. Sign contractor shall notify appropriate person(s) of any issues, discrepancies and potential obstacles per the attached Performance Specifications, contract or specified communication process.
 5. It is the responsibility of the sign contractor to contact appropriate organizations to verify locations of underground utilities.
 6. Sign contractor must obtain all permits and field inspection approvals necessary to complete work per City requirements. All sign locations need to be located and staked by sign contractor and approved by the City prior to installation.
 7. Masonry dimensions are approximate; sign contractor to verify and adjust as needed. Final dimensions must appear on shop drawings for review and approval.
 8. Sign contractor must clean and seal masonry to prevent moisture, discoloration and other defects due to weather and environmental conditions.
 9. Sign contractor must submit brick, stone, and mortar samples for review and approval.
 10. Sign contractor shall follow any additional requirements presented in the attached Performance Specifications and Design Intent Documents.



date 09.02.20



13110 Shaker Square, Suite 101
Cleveland, Ohio 44120
guidestudio.com

contact

pm C. Fromet
design K. Fromet

project LON1693

City of Longmont
Wayfinding Program

phase 60% Design Intent revision 0

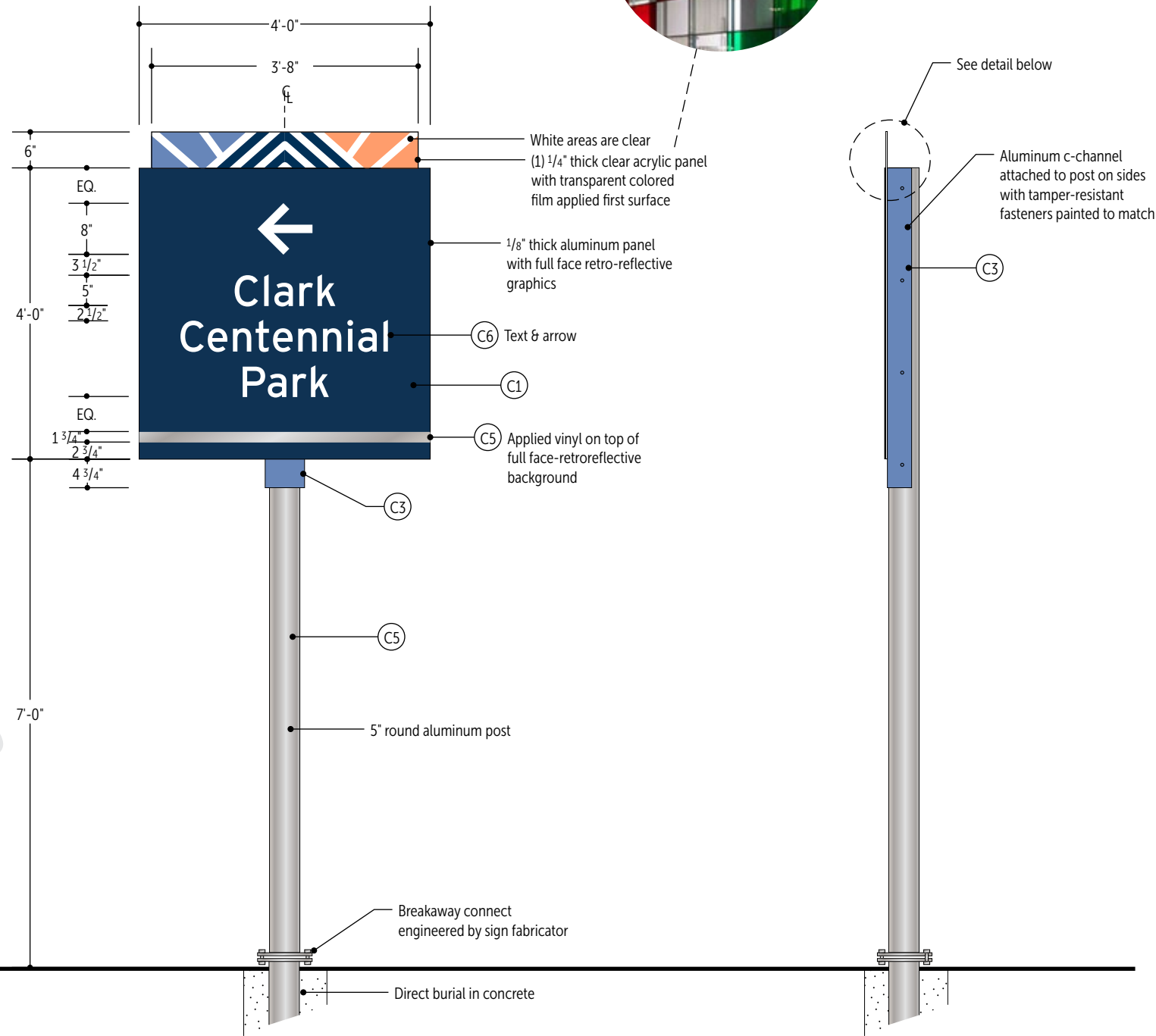
Standard Directional
Sign Type #

NOT FOR CONSTRUCTION

These drawings and notes are for the sole purpose of expressing visual design intent and are not intended for actual fabrication purposes. Sign Contractor accepts total responsibility for final material selection, fabrication and installation methods. Electronic files are not construction documents and cannot be relied upon as identical to construction documents because of changes or errors induced by translation, transmission, or alterations while under the control of others. Use of information contained in the electronic files is at the user's sole risk and without liability to Design Professional and its consultants. Refer to provided performance specifications for details on designer expectations of Fabricator and fabrication process.
Copyright © Guide Studio, Inc. All rights reserved.

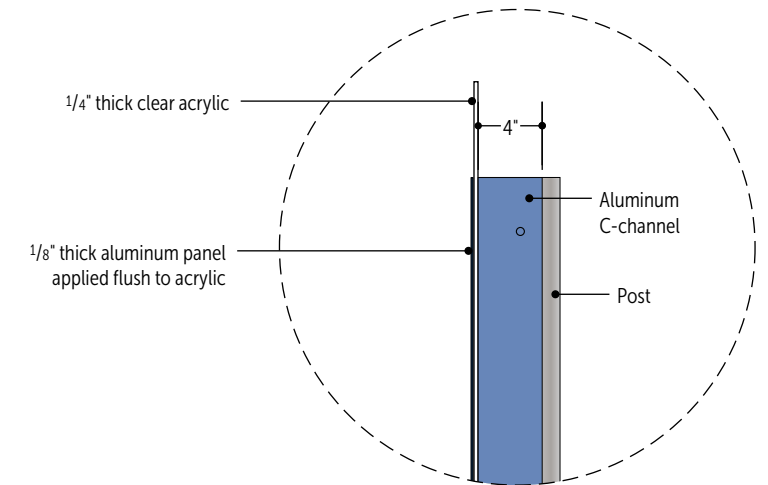
sheet

7



ELEVATION
SCALE: 1/2"=1'

SIDE VIEW
SCALE: 1/2"=1'



DETAIL
SCALE: 1"=1'

GENERAL NOTES

1. Sign contractor shall be responsible for design and engineering of supports, anchors and miscellaneous steel or metal required for installation.
2. The sign contractor's structural engineer shall be licensed in the State of Colorado and certify all connections and support details.
3. Isolate dissimilar materials as required.
4. Field dimensions shall be taken by the sign contractor prior to preparation of shop drawings and fabrication where possible. It is the responsibility of the sign contractor to site verify all sign locations for accuracy, fit, and potential obstacles. Sign contractor shall notify appropriate person(s) of any issues, discrepancies and potential obstacles per the attached Performance Specifications, contract or specified communication process.
5. It is the responsibility of the sign contractor to contact appropriate organizations to verify locations of underground utilities.
6. Sign contractor must obtain all permits and field inspection approvals necessary to complete work per City requirements. All sign locations need to be located and staked by sign contractor and approved by the City prior to installation.
7. Masonry dimensions are approximate; sign contractor to verify and adjust as needed. Final dimensions must appear on shop drawings for review and approval.
8. Sign contractor must clean and seal masonry to prevent moisture, discoloration and other defects due to weather and environmental conditions.
9. Sign contractor must submit brick, stone, and mortar samples for review and approval.
10. Sign contractor shall follow any additional requirements presented in the attached Performance Specifications and Design Intent Documents.

date 09.02.20

contact

project LON1693

phase 60% Design Intent **revision** 0

NOT FOR CONSTRUCTION

These drawings and notes are for the sole purpose of expressing visual design intent and are not intended for actual fabrication purposes. Sign Contractor accepts total responsibility for final material selection, fabrication and installation methods. Electronic files are not construction documents and cannot be relied upon as identical to construction documents because of changes or errors induced by translation, transmission, or alterations while under the control of others. Use of information contained in the electronic files is at the user's sole risk and without liability to Design Professional and its consultants. Refer to provided performance specifications for details on designer expectations of Fabricator and fabrication process. Copyright © Guide Studio, Inc. All rights reserved.

sheet



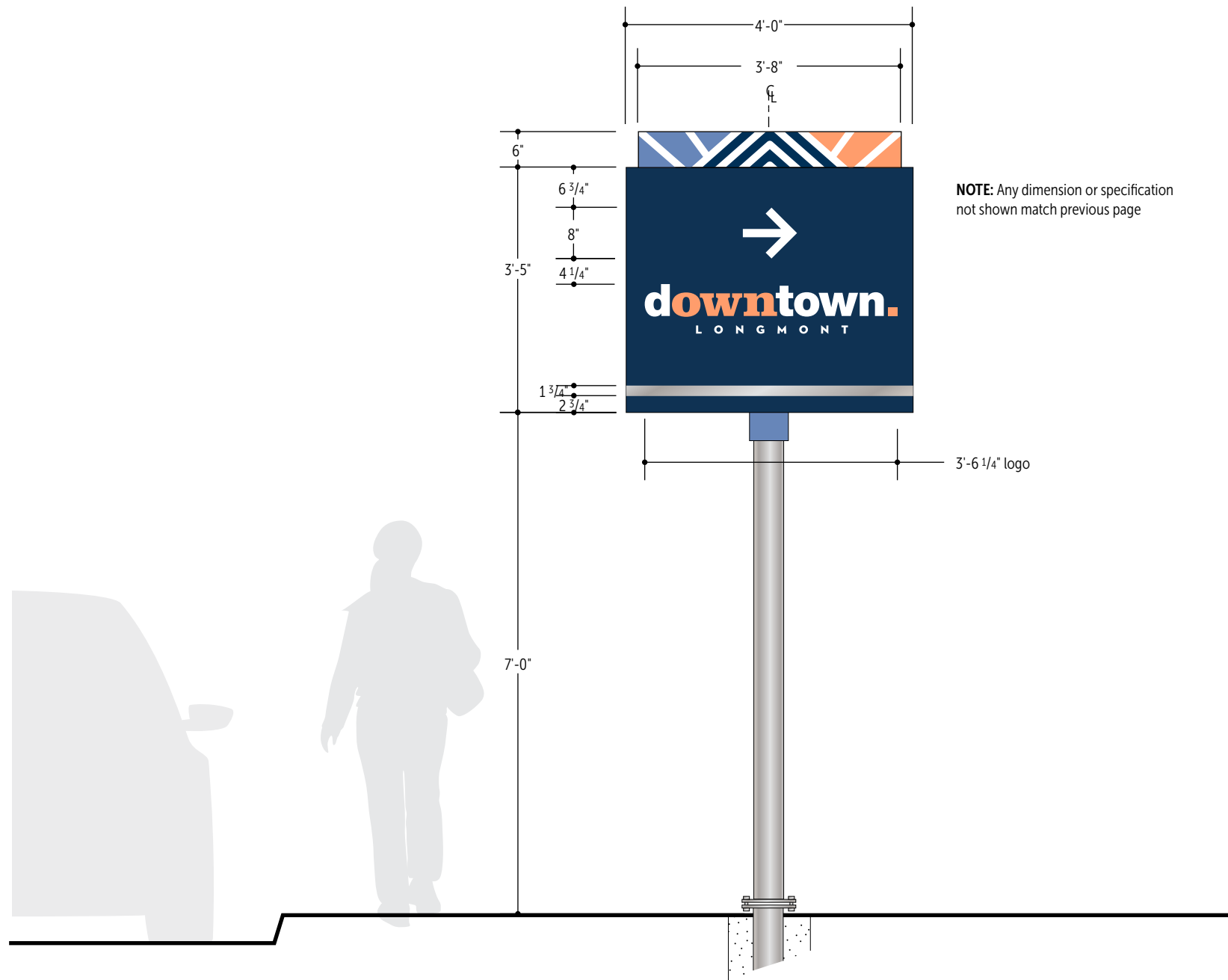
13110 Shaker Square, Suite 101
Cleveland, Ohio 44120
guidestudio.com

pm C. Fromet
design K. Fromet

City of Longmont
Wayfinding Program

Trailblazer
Sign Type #

8



NOTE: Any dimension or specification not shown match previous page

ELEVATION
SCALE: 1/2"=1'

GENERAL NOTES

1. Sign contractor shall be responsible for design and engineering of supports, anchors and miscellaneous steel or metal required for installation.
2. The sign contractor's structural engineer shall be licensed in the State of Colorado and certify all connections and support details.
3. Isolate dissimilar materials as required.
4. Field dimensions shall be taken by the sign contractor prior to preparation of shop drawings and fabrication wherepossible. It is the responsibility of the sign contractor to site verify all sign locations for accuracy, fit, and potential obstacles. Sign contractor shall notify appropriate person(s) of any issues, discrepancies and potential obstacles per the attached Performance Specifications, contract or specified communication process.
5. It is the responsibility of the sign contractor to contact appropriate organizations to verify locations of underground utilities.
6. Sign contractor must obtain all permits and field inspection approvals necessary to complete work per City requirements. All sign locations need to be located and staked by sign contractor and approved by the City prior to installation.
7. Masonry dimensions are approximate; sign contractor to verify and adjust as needed. Final dimensions must appear on shop drawings for review and approval.
8. Sign contractor must clean and seal masonry to prevent moisture, discoloration and other defects due to weather and environmental conditions.
9. Sign contractor must submit brick, stone, and mortar samples for review and approval.
10. Sign contractor shall follow any additional requirements presented in the attached Performance Specifications and Design Intent Documents.

date 09.02.20



13110 Shaker Square, Suite 101
Cleveland, Ohio 44120
guidestudio.com

contact

pm C. Fromet
design K. Fromet

project LON1693

City of Longmont
Wayfinding Program

phase 60% Design Intent **revision** 0

Trailblazer (Downtown)
Sign Type #

NOT FOR CONSTRUCTION

These drawings and notes are for the sole purpose of expressing visual design intent and are not intended for actual fabrication purposes. Sign Contractor accepts total responsibility for final material selection, fabrication and installation methods. Electronic files are not construction documents and cannot be relied upon as identical to construction documents because of changes or errors induced by translation, transmission, or alterations while under the control of others. Use of information contained in the electronic files is at the user's sole risk and without liability to Design Professional and its consultants. Refer to provided performance specifications for details on designer expectations of Fabricator and fabrication process.
Copyright © Guide Studio, Inc. All rights reserved.

sheet

9



date 09.02.20

contact

project LON1693

phase 60% Design Intent revision 0

NOT FOR CONSTRUCTION

These drawings and notes are for the sole purpose of expressing visual design intent and are not intended for actual fabrication purposes. Sign Contractor accepts total responsibility for final material selection, fabrication and installation methods. Electronic files are not construction documents and cannot be relied upon as identical to construction documents because of changes or errors induced by translation, transmission, or alterations while under the control of others. Use of information contained in the electronic files is at the user's sole risk and without liability to Design Professional and its consultants. Refer to provided performance specifications for details on designer expectations of Fabricator and fabrication process. Copyright © Guide Studio, Inc. All rights reserved.

sheet



13110 Shaker Square, Suite 101
Cleveland, Ohio 44120
guidestudio.com

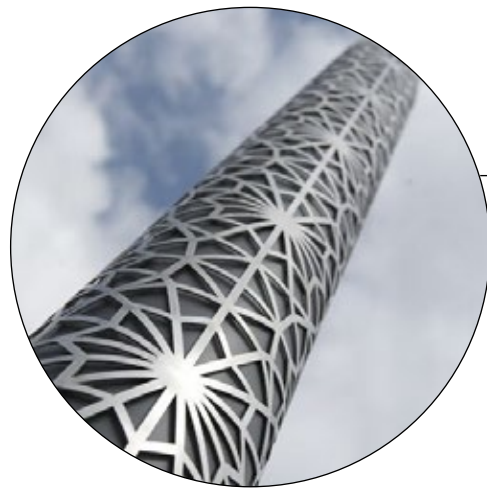
pm C. Fromet

design K. Fromet

City of Longmont
Wayfinding Program

Trailblazer
Sign Type #

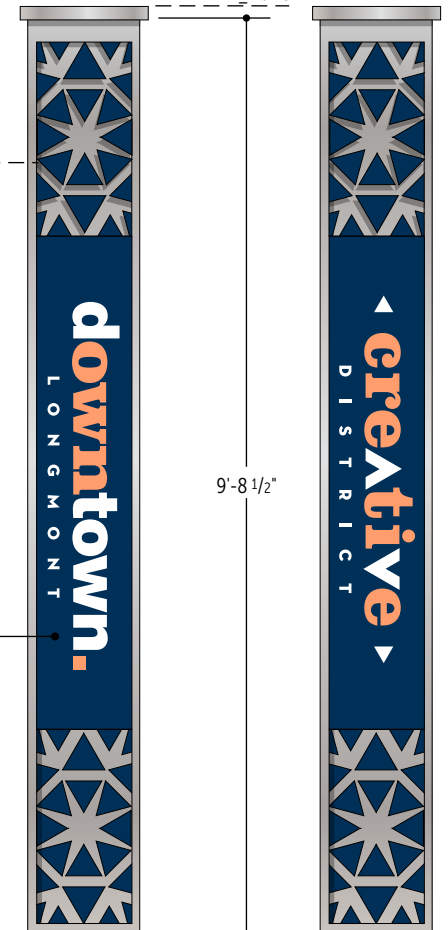
10



Cut dimensional pattern with recessed background

Optional Dimensional logo

1'-4"
1'-2"
±15'-0"



ELEVATION (DOUBLE-SIDED) SCALE: 1/2"=1'
SIDE VIEW (DOUBLE-SIDED) SCALE: 1/2"=1'

OPTION 1A



OPTION 1B



OPTION 1C

GENERAL NOTES

1. Sign contractor shall be responsible for design and engineering of supports, anchors and miscellaneous steel or metal required for installation.
2. The sign contractor's structural engineer shall be licensed in the State of Colorado and certify all connections and support details.
3. Isolate dissimilar materials as required.
4. Field dimensions shall be taken by the sign contractor prior to preparation of shop drawings and fabrication wherepossible. It is the responsibility of the sign contractor to site verify all sign locations for accuracy, fit, and potential obstacles. Sign contractor shall notify appropriate person(s) of any issues, discrepancies and potential obstacles per the attached Performance Specifications, contract or specified communication process.
5. It is the responsibility of the sign contractor to contact appropriate organizations to verify locations of underground utilities.
6. Sign contractor must obtain all permits and field inspection approvals necessary to complete work per City requirements. All sign locations need to be located and staked by sign contractor and approved by the City prior to installation.
7. Masonry dimensions are approximate; sign contractor to verify and adjust as needed. Final dimensions must appear on shop drawings for review and approval.
8. Sign contractor must clean and seal masonry to prevent moisture, discoloration and other defects due to weather and environmental conditions.
9. Sign contractor must submit brick, stone, and mortar samples for review and approval.
10. Sign contractor shall follow any additional requirements presented in the attached Performance Specifications and Design Intent Documents.

date 09.02.20



13110 Shaker Square, Suite 101
Cleveland, Ohio 44120
guidestudio.com

contact

pm C. Fromet
design K. Fromet

project LON1693

City of Longmont
Wayfinding Program

phase 60% Design Intent revision 0

Downtown Gateway
Sign Type #

NOT FOR CONSTRUCTION

These drawings and notes are for the sole purpose of expressing visual design intent and are not intended for actual fabrication purposes. Sign Contractor accepts total responsibility for final material selection, fabrication and installation methods. Electronic files are not construction documents and cannot be relied upon as identical to construction documents because of changes or errors induced by translation, transmission, or alterations while under the control of others. Use of information contained in the electronic files is at the user's sole risk and without liability to Design Professional and its consultants. Refer to provided performance specifications for details on designer expectations of Fabricator and fabrication process.
Copyright © Guide Studio, Inc. All rights reserved.

sheet

11



date 09.02.20

contact

project LON1693

phase 60% Design Intent revision 0

NOT FOR CONSTRUCTION

These drawings and notes are for the sole purpose of expressing visual design intent and are not intended for actual fabrication purposes. Sign Contractor accepts total responsibility for final material selection, fabrication and installation methods. Electronic files are not construction documents and cannot be relied upon as identical to construction documents because of changes or errors induced by translation, transmission, or alterations while under the control of others. Use of information contained in the electronic files is at the user's sole risk and without liability to Design Professional and its consultants. Refer to provided performance specifications for details on designer expectations of Fabricator and fabrication process. Copyright © Guide Studio, Inc. All rights reserved.

sheet



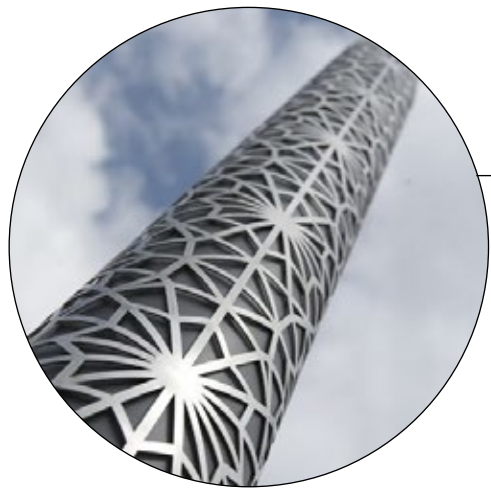
13110 Shaker Square, Suite 101
Cleveland, Ohio 44120
guidestudio.com

pm C. Fromet
design K. Fromet

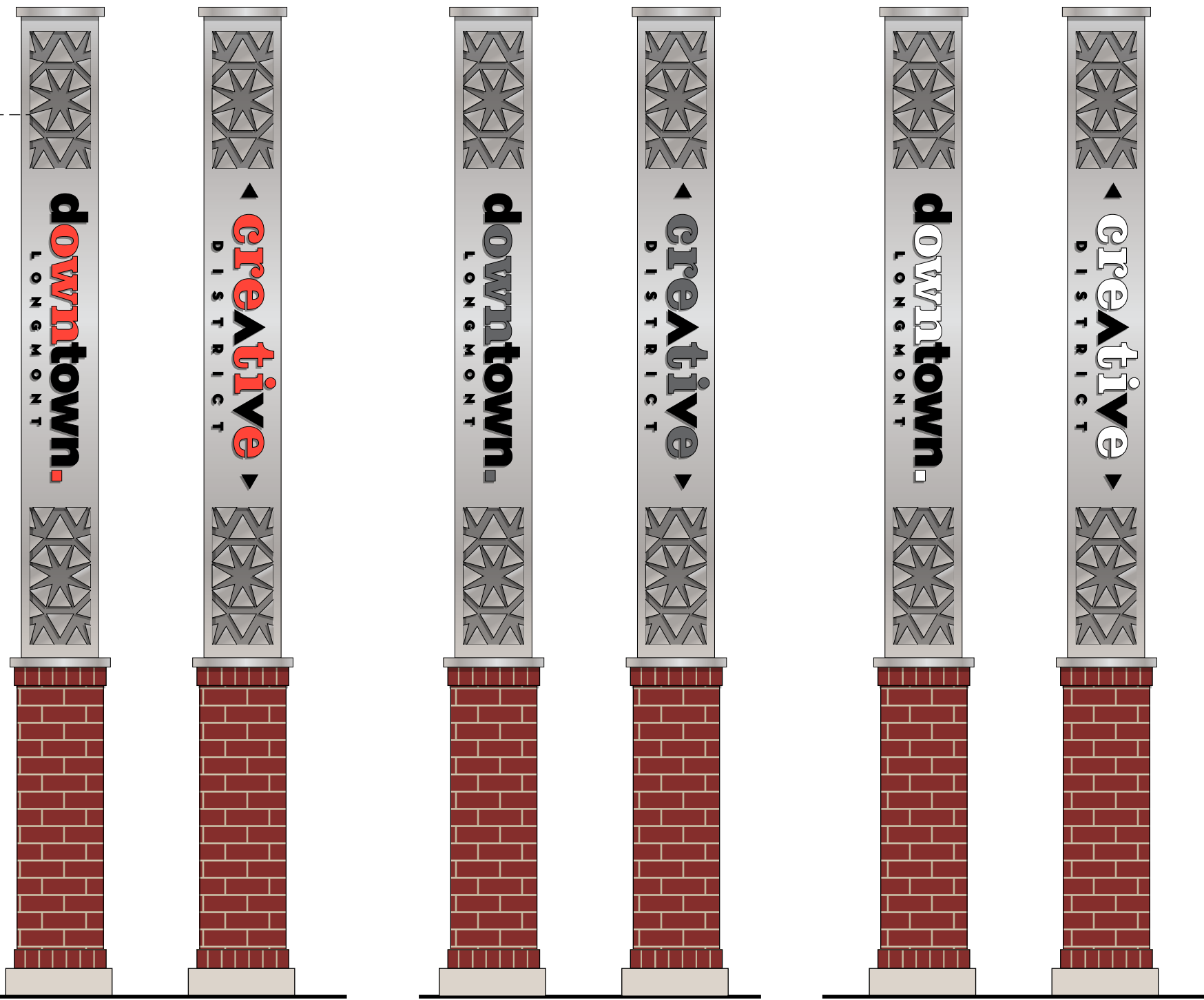
City of Longmont
Wayfinding Program

Downtown Gateway
Sign Type #

12



Cut dimensional pattern with recessed background



ELEVATION (DOUBLE-SIDED)
SCALE: 1/2"=1'

SIDE VIEW (DOUBLE-SIDED)
SCALE: 1/2"=1'

OPTION 2A

OPTION 2B

OPTION 2C

GENERAL NOTES

1. Sign contractor shall be responsible for design and engineering of supports, anchors and miscellaneous steel or metal required for installation.
2. The sign contractor's structural engineer shall be licensed in the State of Colorado and certify all connections and support details.
3. Isolate dissimilar materials as required.
4. Field dimensions shall be taken by the sign contractor prior to preparation of shop drawings and fabrication wherepossible. It is the responsibility of the sign contractor to site verify all sign locations for accuracy, fit, and potential obstacles. Sign contractor shall notify appropriate person(s) of any issues, discrepancies and potential obstacles per the attached Performance Specifications, contract or specified communication process.
5. It is the responsibility of the sign contractor to contact appropriate organizations to verify locations of underground utilities.
6. Sign contractor must obtain all permits and field inspection approvals necessary to complete work per City requirements. All sign locations need to be located and staked by sign contractor and approved by the City prior to installation.
7. Masonry dimensions are approximate; sign contractor to verify and adjust as needed. Final dimensions must appear on shop drawings for review and approval.
8. Sign contractor must clean and seal masonry to prevent moisture, discoloration and other defects due to weather and environmental conditions.
9. Sign contractor must submit brick, stone, and mortar samples for review and approval.
10. Sign contractor shall follow any additional requirements presented in the attached Performance Specifications and Design Intent Documents.

date 09.02.20

contact

project LON1693

phase 60% Design Intent revision 0

NOT FOR CONSTRUCTION

These drawings and notes are for the sole purpose of expressing visual design intent and are not intended for actual fabrication purposes. Sign Contractor accepts total responsibility for final material selection, fabrication and installation methods. Electronic files are not construction documents and cannot be relied upon as identical to construction documents because of changes or errors induced by translation, transmission, or alterations while under the control of others. Use of information contained in the electronic files is at the user's sole risk and without liability to Design Professional and its consultants. Refer to provided performance specifications for details on designer expectations of Fabricator and fabrication process. Copyright © Guide Studio, Inc. All rights reserved.

sheet



13110 Shaker Square, Suite 101
Cleveland, Ohio 44120
guidestudio.com

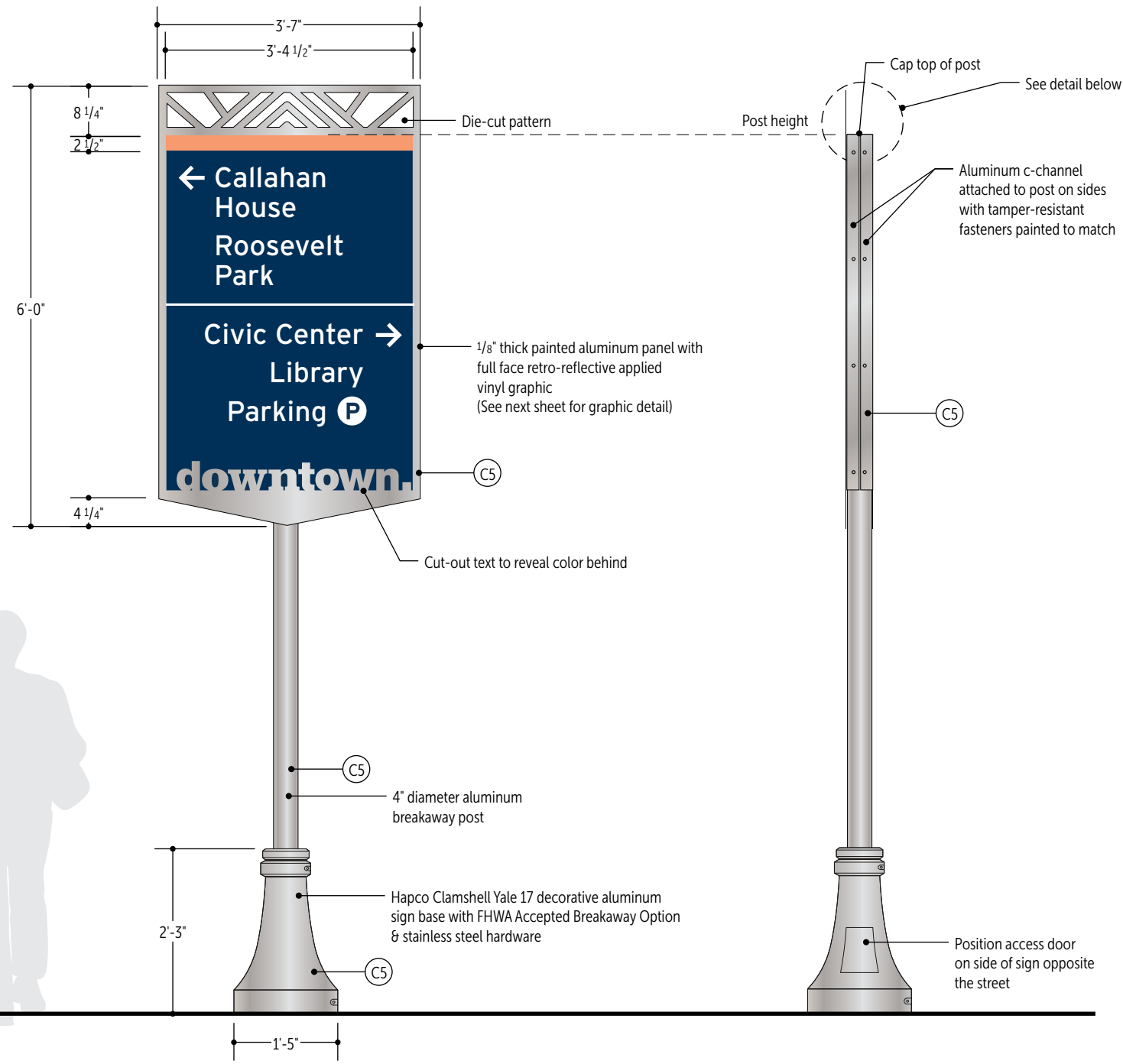
pm C. Fromet

design K. Fromet

City of Longmont
Wayfinding Program

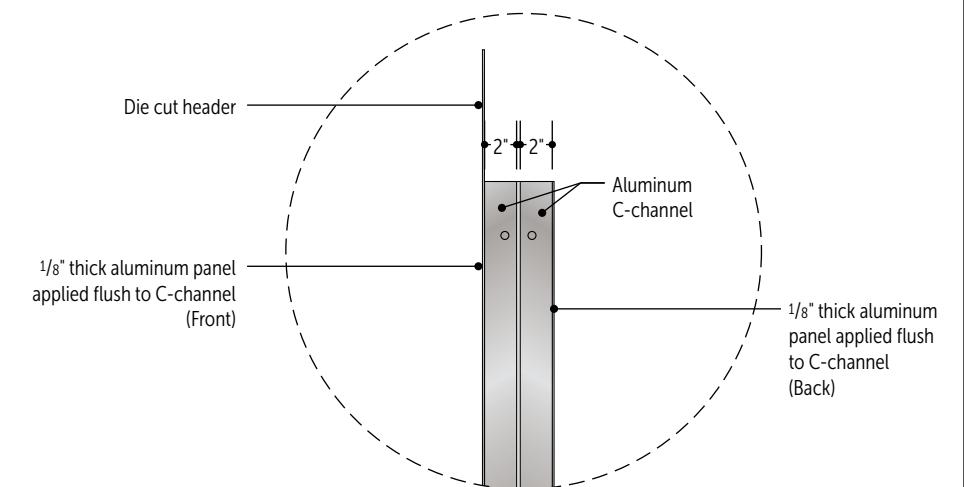
Downtown Gateway
Sign Type #

13



ELEVATION (DOUBLE-SIDED)
SCALE: 1/2"=1'

SIDE VIEW
SCALE: 1/2"=1'



DETAIL
SCALE: 1"=1'

GENERAL NOTES

1. Sign contractor shall be responsible for design and engineering of supports, anchors and miscellaneous steel or metal required for installation.
2. The sign contractor's structural engineer shall be licensed in the State of Colorado and certify all connections and support details.
3. Isolate dissimilar materials as required.
4. Field dimensions shall be taken by the sign contractor prior to preparation of shop drawings and fabrication wherepossible. It is the responsibility of the sign contractor to site verify all sign locations for accuracy, fit, and potential obstacles. Sign contractor shall notify appropriate person(s) of any issues, discrepancies and potential obstacles per the attached Performance Specifications, contract or specified communication process.
5. It is the responsibility of the sign contractor to contact appropriate organizations to verify locations of underground utilities.
6. Sign contractor must obtain all permits and field inspection approvals necessary to complete work per City requirements. All sign locations need to be located and staked by sign contractor and approved by the City prior to installation.
7. Masonry dimensions are approximate; sign contractor to verify and adjust as needed. Final dimensions must appear on shop drawings for review and approval.
8. Sign contractor must clean and seal masonry to prevent moisture, discoloration and other defects due to weather and environmental conditions.
9. Sign contractor must submit brick, stone, and mortar samples for review and approval.
10. Sign contractor shall follow any additional requirements presented in the attached Performance Specifications and Design Intent Documents.

date 09.02.20

contact

project LON1693

phase 60% Design Intent revision 0

NOT FOR CONSTRUCTION

These drawings and notes are for the sole purpose of expressing visual design intent and are not intended for actual fabrication purposes. Sign Contractor accepts total responsibility for final material selection, fabrication and installation methods. Electronic files are not construction documents and cannot be relied upon as identical to construction documents because of changes or errors induced by translation, transmission, or alterations while under the control of others. Use of information contained in the electronic files is at the user's sole risk and without liability to Design Professional and its consultants. Refer to provided performance specifications for details on designer expectations of Fabricator and fabrication process. Copyright © Guide Studio, Inc. All rights reserved.

sheet



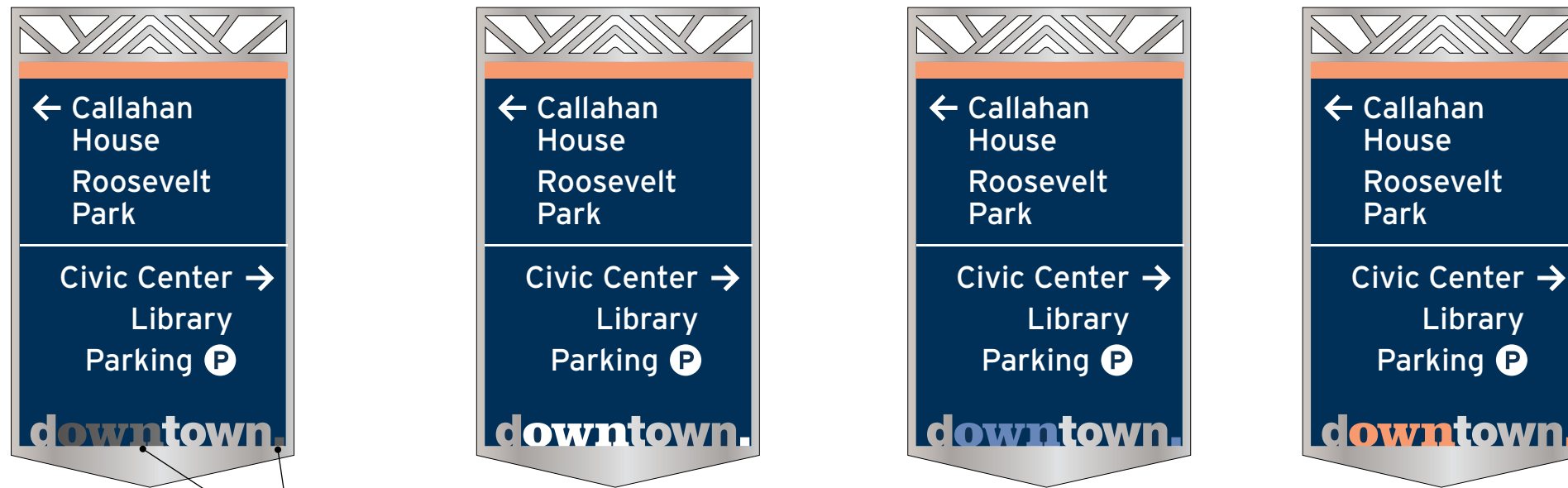
13110 Shaker Square, Suite 101
Cleveland, Ohio 44120
guidestudio.com

pm C. Fromet
design K. Fromet

City of Longmont
Wayfinding Program

Downtown Directional
Sign Type #

14



Darker tone for "own"
& period to relate to
downtown brand

downtown.

DOWNTOWN APPLICATION OPTIONS



Full color city logo



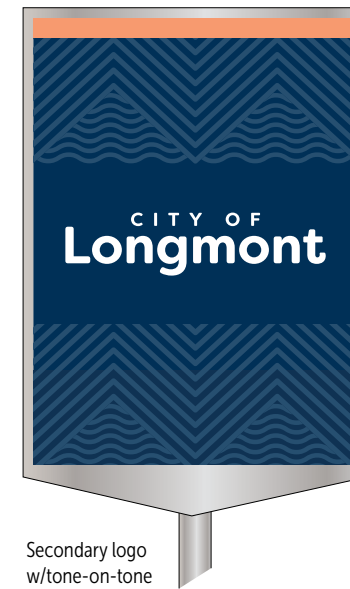
Tone-on-tone city logo



Creative District
(Color)



Creative District
(Tone-on-tone)



Secondary logo
w/tone-on-tone
pattern

BACK OPTIONS

GENERAL NOTES

1. Sign contractor shall be responsible for design and engineering of supports, anchors and miscellaneous steel or metal required for installation.
2. The sign contractor's structural engineer shall be licensed in the State of Colorado and certify all connections and support details.
3. Isolate dissimilar materials as required.
4. Field dimensions shall be taken by the sign contractor prior to preparation of shop drawings and fabrication wherepossible. It is the responsibility of the sign contractor to site verify all sign locations for accuracy, fit, and potential obstacles. Sign contractor shall notify appropriate person(s) of any issues, discrepancies and potential obstacles per the attached Performance Specifications, contract or specified communication process.
5. It is the responsibility of the sign contractor to contact appropriate organizations to verify locations of underground utilities.
6. Sign contractor must obtain all permits and field inspection approvals necessary to complete work per City requirements. All sign locations need to be located and staked by sign contractor and approved by the City prior to installation.
7. Masonry dimensions are approximate; sign contractor to verify and adjust as needed. Final dimensions must appear on shop drawings for review and approval.
8. Sign contractor must clean and seal masonry to prevent moisture, discoloration and other defects due to weather and environmental conditions.
9. Sign contractor must submit brick, stone, and mortar samples for review and approval.
10. Sign contractor shall follow any additional requirements presented in the attached Performance Specifications and Design Intent Documents.

date 09.02.20

contact

project LON1693

phase 60% Design Intent revision 0

NOT FOR CONSTRUCTION

These drawings and notes are for the sole purpose of expressing visual design intent and are not intended for actual fabrication purposes. Sign Contractor accepts total responsibility for final material selection, fabrication and installation methods. Electronic files are not construction documents and cannot be relied upon as identical to construction documents because of changes or errors induced by translation, transmission, or alterations while under the control of others. Use of information contained in the electronic files is at the user's sole risk and without liability to Design Professional and its consultants. Refer to provided performance specifications for details on designer expectations of Fabricator and fabrication process. Copyright © Guide Studio, Inc. All rights reserved.

sheet



13110 Shaker Square, Suite 101
Cleveland, Ohio 44120
guidestudio.com

pm C. Fromet
design K. Fromet

City of Longmont
Wayfinding Program

Downtown Directional
Sign Type #

15



date 09.02.20

Guide

13110 Shaker Square, Suite 101
Cleveland, Ohio 44120
guidestudio.com

contact

pm C. Fromet

design K. Fromet

project LON1693

City of Longmont
Wayfinding Program

phase 60% Design Intent revision 0

Downtown Directional
Sign Type #

NOT FOR CONSTRUCTION

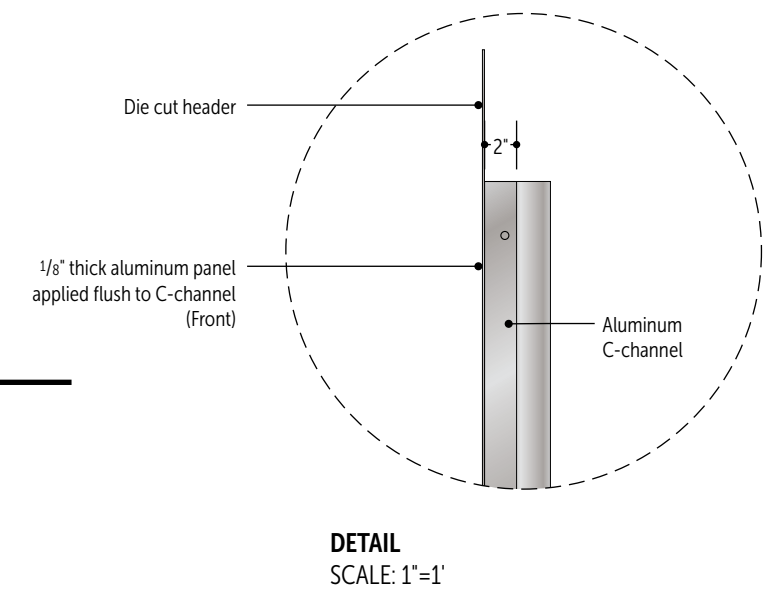
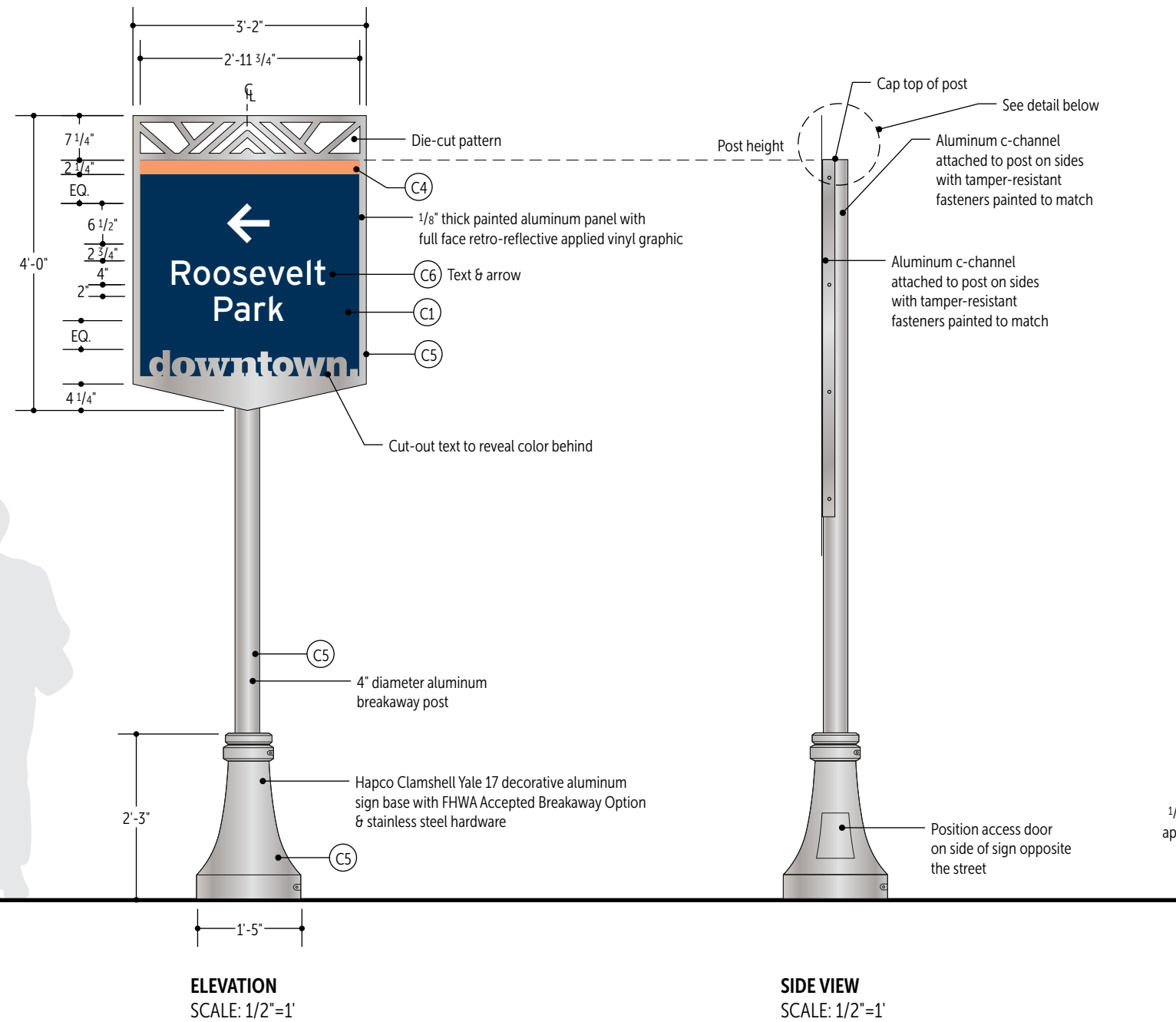
These drawings and notes are for the sole purpose of expressing visual design intent and are not intended for actual fabrication purposes. Sign Contractor accepts total responsibility for final material selection, fabrication and installation methods. Electronic files are not construction documents and cannot be relied upon as identical to construction documents because of changes or errors induced by translation, transmission, or alterations while under the control of others. Use of information contained in the electronic files is at the user's sole risk and without liability to Design Professional and its consultants. Refer to provided performance specifications for details on designer expectations of Fabricator and fabrication process. Copyright © Guide Studio, Inc. All rights reserved.

sheet

16

GENERAL NOTES

1. Sign contractor shall be responsible for design and engineering of supports, anchors and miscellaneous steel or metal required for installation.
2. The sign contractor's structural engineer shall be licensed in the State of Colorado and certify all connections and support details.
3. Isolate dissimilar materials as required.
4. Field dimensions shall be taken by the sign contractor prior to preparation of shop drawings and fabrication wherepossible. It is the responsibility of the sign contractor to site verify all sign locations for accuracy, fit, and potential obstacles. Sign contractor shall notify appropriate person(s) of any issues, discrepancies and potential obstacles per the attached Performance Specifications, contract or specified communication process.
5. It is the responsibility of the sign contractor to contact appropriate organizations to verify locations of underground utilities.
6. Sign contractor must obtain all permits and field inspection approvals necessary to complete work per City requirements. All sign locations need to be located and staked by sign contractor and approved by the City prior to installation.
7. Masonry dimensions are approximate; sign contractor to verify and adjust as needed. Final dimensions must appear on shop drawings for review and approval.
8. Sign contractor must clean and seal masonry to prevent moisture, discoloration and other defects due to weather and environmental conditions.
9. Sign contractor must submit brick, stone, and mortar samples for review and approval.
10. Sign contractor shall follow any additional requirements presented in the attached Performance Specifications and Design Intent Documents.



date 09.02.20

contact

project LON1693

phase 60% Design Intent revision 0

NOT FOR CONSTRUCTION

These drawings and notes are for the sole purpose of expressing visual design intent and are not intended for actual fabrication purposes. Sign Contractor accepts total responsibility for final material selection, fabrication and installation methods. Electronic files are not construction documents and cannot be relied upon as identical to construction documents because of changes or errors induced by translation, transmission, or alterations while under the control of others. Use of information contained in the electronic files is at the user's sole risk and without liability to Design Professional and its consultants. Refer to provided performance specifications for details on designer expectations of Fabricator and fabrication process. Copyright © Guide Studio, Inc. All rights reserved.

sheet



13110 Shaker Square, Suite 101
Cleveland, Ohio 44120
guidestudio.com

pm C. Fromet
design K. Fromet

City of Longmont
Wayfinding Program

Downtown Trailblazer
Sign Type #

17



date 09.02.20



13110 Shaker Square, Suite 101
Cleveland, Ohio 44120
guidestudio.com

contact

pm C. Fromet

design K. Fromet

project LON1693

City of Longmont
Wayfinding Program

phase 60% Design Intent revision 0

Downtown Trailblazer
Sign Type #

NOT FOR CONSTRUCTION

These drawings and notes are for the sole purpose of expressing visual design intent and are not intended for actual fabrication purposes. Sign Contractor accepts total responsibility for final material selection, fabrication and installation methods. Electronic files are not construction documents and cannot be relied upon as identical to construction documents because of changes or errors induced by translation, transmission, or alterations while under the control of others. Use of information contained in the electronic files is at the user's sole risk and without liability to Design Professional and its consultants. Refer to provided performance specifications for details on designer expectations of Fabricator and fabrication process.
Copyright © Guide Studio, Inc. All rights reserved.

sheet

18



OPTION 1



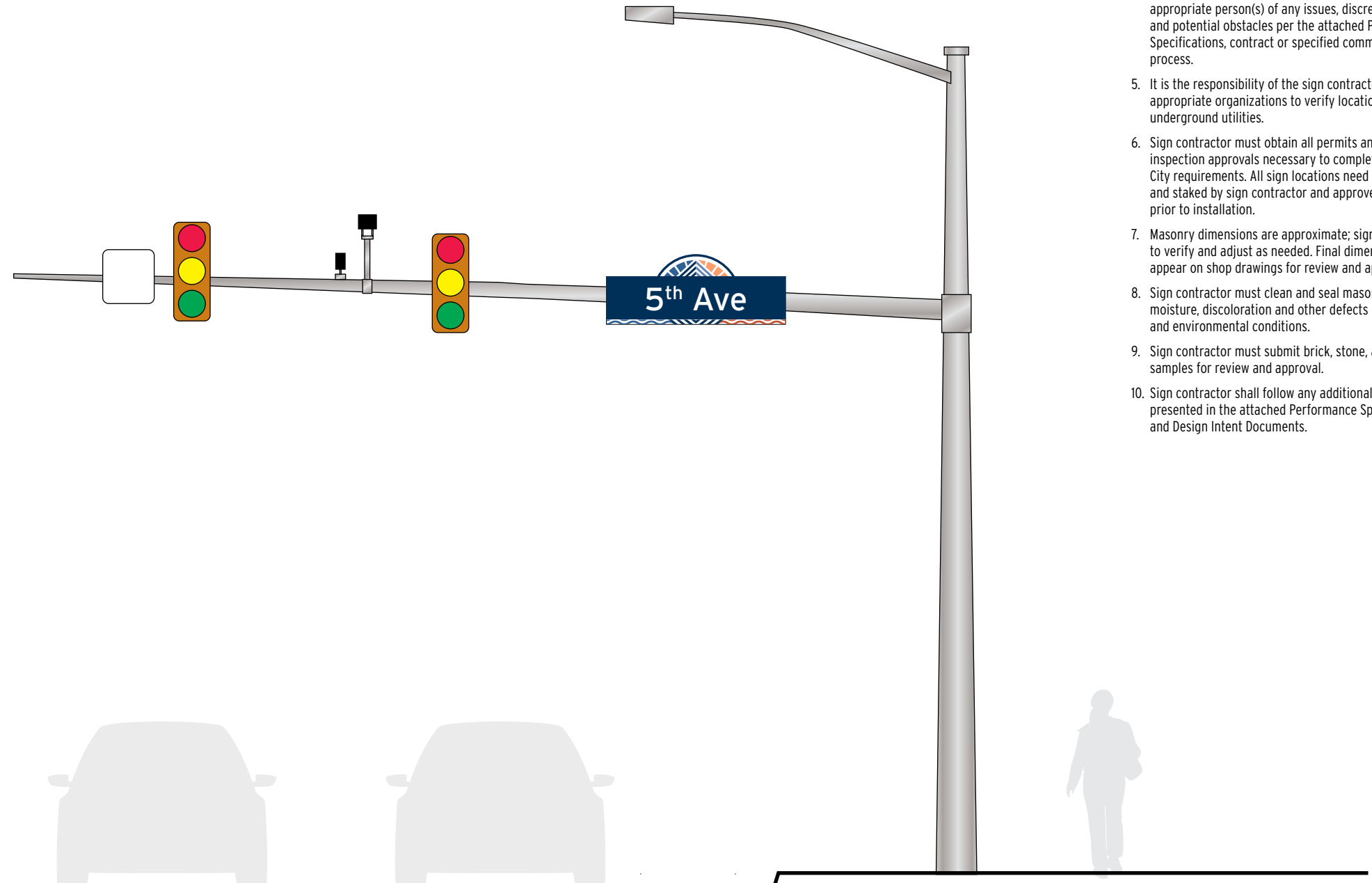
OPTION 2



OPTION 3



OPTION 4



ELEVATION
SCALE: 1/4"=1'

GENERAL NOTES

1. Sign contractor shall be responsible for design and engineering of supports, anchors and miscellaneous steel or metal required for installation.
2. The sign contractor's structural engineer shall be licensed in the State of Colorado and certify all connections and support details.
3. Isolate dissimilar materials as required.
4. Field dimensions shall be taken by the sign contractor prior to preparation of shop drawings and fabrication wherepossible. It is the responsibility of the sign contractor to site verify all sign locations for accuracy, fit, and potential obstacles. Sign contractor shall notify appropriate person(s) of any issues, discrepancies and potential obstacles per the attached Performance Specifications, contract or specified communication process.
5. It is the responsibility of the sign contractor to contact appropriate organizations to verify locations of underground utilities.
6. Sign contractor must obtain all permits and field inspection approvals necessary to complete work per City requirements. All sign locations need to be located and staked by sign contractor and approved by the City prior to installation.
7. Masonry dimensions are approximate; sign contractor to verify and adjust as needed. Final dimensions must appear on shop drawings for review and approval.
8. Sign contractor must clean and seal masonry to prevent moisture, discoloration and other defects due to weather and environmental conditions.
9. Sign contractor must submit brick, stone, and mortar samples for review and approval.
10. Sign contractor shall follow any additional requirements presented in the attached Performance Specifications and Design Intent Documents.

date 09.02.20



13110 Shaker Square, Suite 101
Cleveland, Ohio 44120
guidestudio.com

contact

pm C. Fromet
design K. Fromet

project LON1693

City of Longmont
Wayfinding Program

phase 60% Design Intent revision 0

Downtown Street ID
Sign Type #

NOT FOR CONSTRUCTION

These drawings and notes are for the sole purpose of expressing visual design intent and are not intended for actual fabrication purposes. Sign Contractor accepts total responsibility for final material selection, fabrication and installation methods. Electronic files are not construction documents and cannot be relied upon as identical to construction documents because of changes or errors induced by translation, transmission, or alterations while under the control of others. Use of information contained in the electronic files is at the user's sole risk and without liability to Design Professional and its consultants. Refer to provided performance specifications for details on designer expectations of Fabricator and fabrication process.
Copyright © Guide Studio, Inc. All rights reserved.

sheet

19



date 09.02.20



13110 Shaker Square, Suite 101
Cleveland, Ohio 44120
guidestudio.com

contact

pm C. Fromet
design K. Fromet

project LON1693

City of Longmont
Wayfinding Program

phase 60% Design Intent revision 0

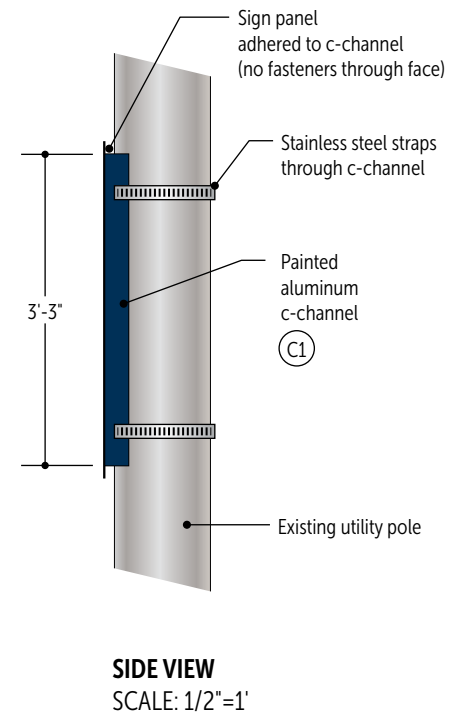
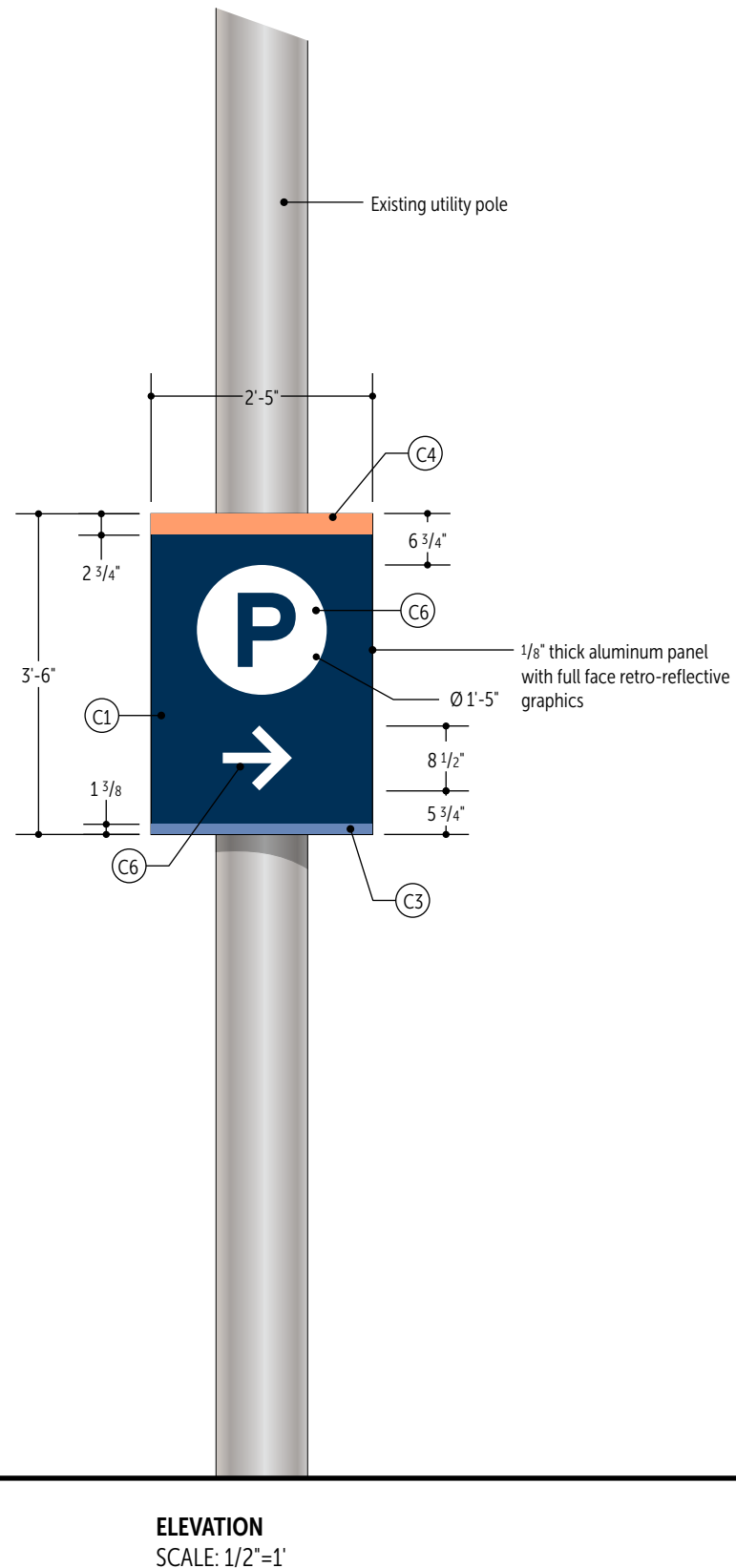
Downtown Street ID
Sign Type #

NOT FOR CONSTRUCTION

These drawings and notes are for the sole purpose of expressing visual design intent and are not intended for actual fabrication purposes. Sign Contractor accepts total responsibility for final material selection, fabrication and installation methods. Electronic files are not construction documents and cannot be relied upon as identical to construction documents because of changes or errors induced by translation, transmission, or alterations while under the control of others. Use of information contained in the electronic files is at the user's sole risk and without liability to Design Professional and its consultants. Refer to provided performance specifications for details on designer expectations of Fabricator and fabrication process.
Copyright © Guide Studio, Inc. All rights reserved.

sheet

20



GENERAL NOTES

1. Sign contractor shall be responsible for design and engineering of supports, anchors and miscellaneous steel or metal required for installation.
2. The sign contractor's structural engineer shall be licensed in the State of Colorado and certify all connections and support details.
3. Isolate dissimilar materials as required.
4. Field dimensions shall be taken by the sign contractor prior to preparation of shop drawings and fabrication wherepossible. It is the responsibility of the sign contractor to site verify all sign locations for accuracy, fit, and potential obstacles. Sign contractor shall notify appropriate person(s) of any issues, discrepancies and potential obstacles per the attached Performance Specifications, contract or specified communication process.
5. It is the responsibility of the sign contractor to contact appropriate organizations to verify locations of underground utilities.
6. Sign contractor must obtain all permits and field inspection approvals necessary to complete work per City requirements. All sign locations need to be located and staked by sign contractor and approved by the City prior to installation.
7. Masonry dimensions are approximate; sign contractor to verify and adjust as needed. Final dimensions must appear on shop drawings for review and approval.
8. Sign contractor must clean and seal masonry to prevent moisture, discoloration and other defects due to weather and environmental conditions.
9. Sign contractor must submit brick, stone, and mortar samples for review and approval.
10. Sign contractor shall follow any additional requirements presented in the attached Performance Specifications and Design Intent Documents.

date 09.02.20

contact

project LON1693

phase 60% Design Intent revision 0

NOT FOR CONSTRUCTION

These drawings and notes are for the sole purpose of expressing visual design intent and are not intended for actual fabrication purposes. Sign Contractor accepts total responsibility for final material selection, fabrication and installation methods. Electronic files are not construction documents and cannot be relied upon as identical to construction documents because of changes or errors induced by translation, transmission, or alterations while under the control of others. Use of information contained in the electronic files is at the user's sole risk and without liability to Design Professional and its consultants. Refer to provided performance specifications for details on designer expectations of Fabricator and fabrication process. Copyright © Guide Studio, Inc. All rights reserved.

sheet



13110 Shaker Square, Suite 101
Cleveland, Ohio 44120
guidestudio.com

pm C. Fromet
design K. Fromet

City of Longmont
Wayfinding Program

Parking Trailblazer
Sign Type #

21



date 09.02.20



13110 Shaker Square, Suite 101
Cleveland, Ohio 44120
guidestudio.com

contact

pm C. Fromet
design K. Fromet

project LON1693

City of Longmont
Wayfinding Program

phase 60% Design Intent revision 0

Parking Trailblazer
Sign Type #

NOT FOR CONSTRUCTION

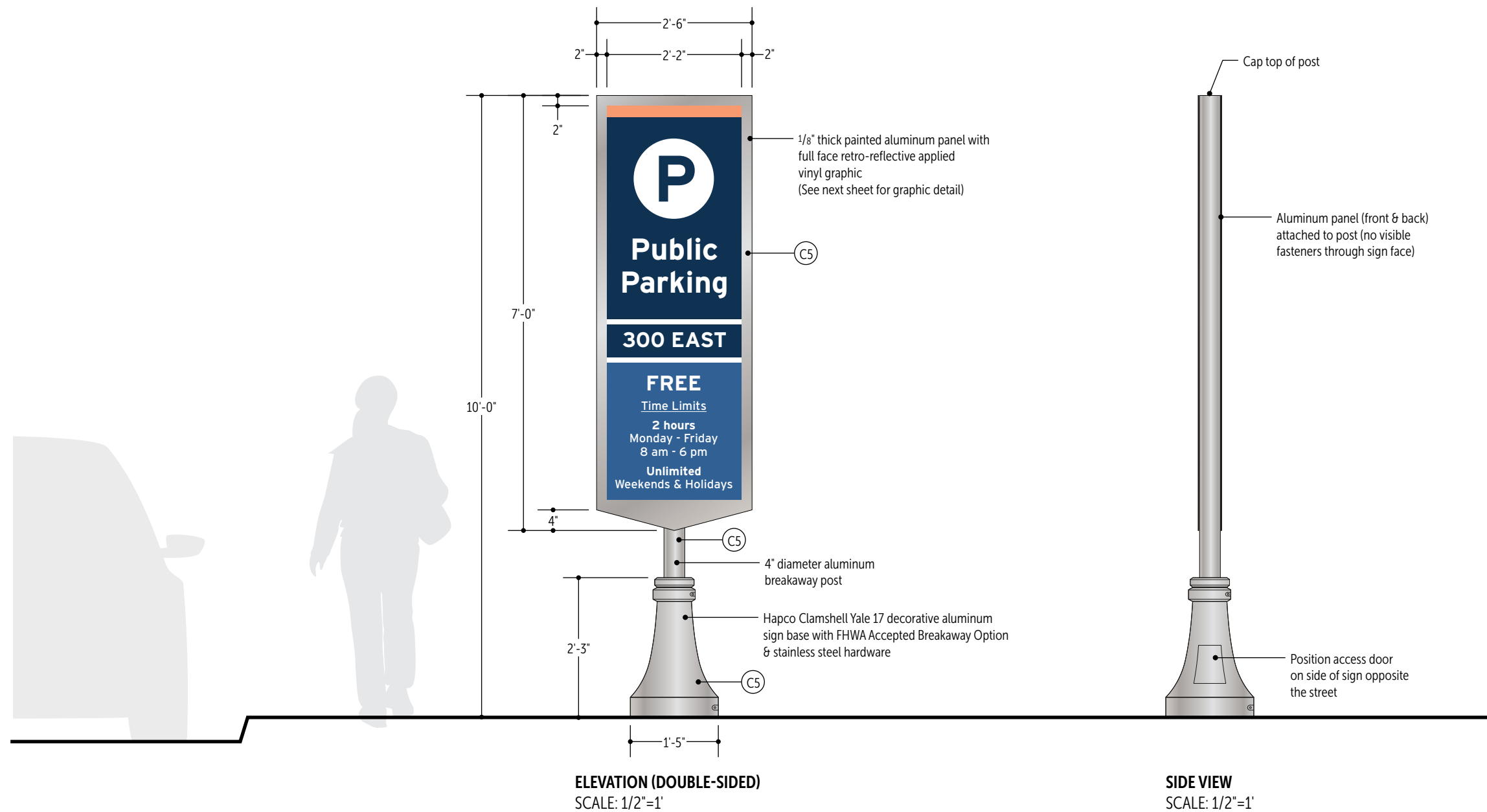
These drawings and notes are for the sole purpose of expressing visual design intent and are not intended for actual fabrication purposes. Sign Contractor accepts total responsibility for final material selection, fabrication and installation methods. Electronic files are not construction documents and cannot be relied upon as identical to construction documents because of changes or errors induced by translation, transmission, or alterations while under the control of others. Use of information contained in the electronic files is at the user's sole risk and without liability to Design Professional and its consultants. Refer to provided performance specifications for details on designer expectations of Fabricator and fabrication process.
Copyright © Guide Studio, Inc. All rights reserved.

sheet

22

GENERAL NOTES

1. Sign contractor shall be responsible for design and engineering of supports, anchors and miscellaneous steel or metal required for installation.
2. The sign contractor's structural engineer shall be licensed in the State of Colorado and certify all connections and support details.
3. Isolate dissimilar materials as required.
4. Field dimensions shall be taken by the sign contractor prior to preparation of shop drawings and fabrication wherepossible. It is the responsibility of the sign contractor to site verify all sign locations for accuracy, fit, and potential obstacles. Sign contractor shall notify appropriate person(s) of any issues, discrepancies and potential obstacles per the attached Performance Specifications, contract or specified communication process.
5. It is the responsibility of the sign contractor to contact appropriate organizations to verify locations of underground utilities.
6. Sign contractor must obtain all permits and field inspection approvals necessary to complete work per City requirements. All sign locations need to be located and staked by sign contractor and approved by the City prior to installation.
7. Masonry dimensions are approximate; sign contractor to verify and adjust as needed. Final dimensions must appear on shop drawings for review and approval.
8. Sign contractor must clean and seal masonry to prevent moisture, discoloration and other defects due to weather and environmental conditions.
9. Sign contractor must submit brick, stone, and mortar samples for review and approval.
10. Sign contractor shall follow any additional requirements presented in the attached Performance Specifications and Design Intent Documents.



date 09.02.20

contact

project LON1693

phase 60% Design Intent revision 0

NOT FOR CONSTRUCTION

These drawings and notes are for the sole purpose of expressing visual design intent and are not intended for actual fabrication purposes. Sign Contractor accepts total responsibility for final material selection, fabrication and installation methods. Electronic files are not construction documents and cannot be relied upon as identical to construction documents because of changes or errors induced by translation, transmission, or alterations while under the control of others. Use of information contained in the electronic files is at the user's sole risk and without liability to Design Professional and its consultants. Refer to provided performance specifications for details on designer expectations of Fabricator and fabrication process. Copyright © Guide Studio, Inc. All rights reserved.

sheet



13110 Shaker Square, Suite 101
Cleveland, Ohio 44120
guidestudio.com

pm C. Fromet
design K. Fromet

City of Longmont
Wayfinding Program

Parking ID
Sign Type

23



GRAPHIC DETAIL
SCALE: 1"=1'

GENERAL NOTES

1. Sign contractor shall be responsible for design and engineering of supports, anchors and miscellaneous steel or metal required for installation.
2. The sign contractor's structural engineer shall be licensed in the State of Colorado and certify all connections and support details.
3. Isolate dissimilar materials as required.
4. Field dimensions shall be taken by the sign contractor prior to preparation of shop drawings and fabrication wherepossible. It is the responsibility of the sign contractor to site verify all sign locations for accuracy, fit, and potential obstacles. Sign contractor shall notify appropriate person(s) of any issues, discrepancies and potential obstacles per the attached Performance Specifications, contract or specified communication process.
5. It is the responsibility of the sign contractor to contact appropriate organizations to verify locations of underground utilities.
6. Sign contractor must obtain all permits and field inspection approvals necessary to complete work per City requirements. All sign locations need to be located and staked by sign contractor and approved by the City prior to installation.
7. Masonry dimensions are approximate; sign contractor to verify and adjust as needed. Final dimensions must appear on shop drawings for review and approval.
8. Sign contractor must clean and seal masonry to prevent moisture, discoloration and other defects due to weather and environmental conditions.
9. Sign contractor must submit brick, stone, and mortar samples for review and approval.
10. Sign contractor shall follow any additional requirements presented in the attached Performance Specifications and Design Intent Documents.

date 09.02.20

contact

project LON1693

phase 60% Design Intent revision 0

NOT FOR CONSTRUCTION

These drawings and notes are for the sole purpose of expressing visual design intent and are not intended for actual fabrication purposes. Sign Contractor accepts total responsibility for final material selection, fabrication and installation methods. Electronic files are not construction documents and cannot be relied upon as identical to construction documents because of changes or errors induced by translation, transmission, or alterations while under the control of others. Use of information contained in the electronic files is at the user's sole risk and without liability to Design Professional and its consultants. Refer to provided performance specifications for details on designer expectations of Fabricator and fabrication process. Copyright © Guide Studio, Inc. All rights reserved.

sheet



13110 Shaker Square, Suite 101
Cleveland, Ohio 44120
guidestudio.com

pm C. Fromet
design K. Fromet

City of Longmont
Wayfinding Program

Parking ID
Sign Type

24



date 09.02.20

Guide

13110 Shaker Square, Suite 101
Cleveland, Ohio 44120
guidestudio.com

contact

pm C. Fromet

design K. Fromet

project LON1693

City of Longmont
Wayfinding Program

phase 60% Design Intent revision 0

Parking ID
Sign Type #

NOT FOR CONSTRUCTION

These drawings and notes are for the sole purpose of expressing visual design intent and are not intended for actual fabrication purposes. Sign Contractor accepts total responsibility for final material selection, fabrication and installation methods. Electronic files are not construction documents and cannot be relied upon as identical to construction documents because of changes or errors induced by translation, transmission, or alterations while under the control of others. Use of information contained in the electronic files is at the user's sole risk and without liability to Design Professional and its consultants. Refer to provided performance specifications for details on designer expectations of Fabricator and fabrication process.
Copyright © Guide Studio, Inc. All rights reserved.

sheet

25

GENERAL NOTES

1. Sign contractor shall be responsible for design and engineering of supports, anchors and miscellaneous steel or metal required for installation.
2. The sign contractor's structural engineer shall be licensed in the State of Colorado and certify all connections and support details.
3. Isolate dissimilar materials as required.
4. Field dimensions shall be taken by the sign contractor prior to preparation of shop drawings and fabrication wherepossible. It is the responsibility of the sign contractor to site verify all sign locations for accuracy, fit, and potential obstacles. Sign contractor shall notify appropriate person(s) of any issues, discrepancies and potential obstacles per the attached Performance Specifications, contract or specified communication process.
5. It is the responsibility of the sign contractor to contact appropriate organizations to verify locations of underground utilities.
6. Sign contractor must obtain all permits and field inspection approvals necessary to complete work per City requirements. All sign locations need to be located and staked by sign contractor and approved by the City prior to installation.
7. Masonry dimensions are approximate; sign contractor to verify and adjust as needed. Final dimensions must appear on shop drawings for review and approval.
8. Sign contractor must clean and seal masonry to prevent moisture, discoloration and other defects due to weather and environmental conditions.
9. Sign contractor must submit brick, stone, and mortar samples for review and approval.
10. Sign contractor shall follow any additional requirements presented in the attached Performance Specifications and Design Intent Documents.



ELEVATION (DOUBLE-SIDED)
SCALE: 1/2"=1'

SIDE VIEW
SCALE: 1/2"=1'

date 09.02.20

contact

project LON1693

phase 60% Design Intent **revision** 0

NOT FOR CONSTRUCTION

These drawings and notes are for the sole purpose of expressing visual design intent and are not intended for actual fabrication purposes. Sign Contractor accepts total responsibility for final material selection, fabrication and installation methods. Electronic files are not construction documents and cannot be relied upon as identical to construction documents because of changes or errors induced by translation, transmission, or alterations while under the control of others. Use of information contained in the electronic files is at the user's sole risk and without liability to Design Professional and its consultants. Refer to provided performance specifications for details on designer expectations of Fabricator and fabrication process. Copyright © Guide Studio, Inc. All rights reserved.

sheet



13110 Shaker Square, Suite 101
Cleveland, Ohio 44120
guidestudio.com

pm C. Fromet
design K. Fromet

City of Longmont
Wayfinding Program

Facility ID (Monument)
Sign Type #

26

GENERAL NOTES

1. Sign contractor shall be responsible for design and engineering of supports, anchors and miscellaneous steel or metal required for installation.
2. The sign contractor's structural engineer shall be licensed in the State of Colorado and certify all connections and support details.
3. Isolate dissimilar materials as required.
4. Field dimensions shall be taken by the sign contractor prior to preparation of shop drawings and fabrication wherepossible. It is the responsibility of the sign contractor to site verify all sign locations for accuracy, fit, and potential obstacles. Sign contractor shall notify appropriate person(s) of any issues, discrepancies and potential obstacles per the attached Performance Specifications, contract or specified communication process.
5. It is the responsibility of the sign contractor to contact appropriate organizations to verify locations of underground utilities.
6. Sign contractor must obtain all permits and field inspection approvals necessary to complete work per City requirements. All sign locations need to be located and staked by sign contractor and approved by the City prior to installation.
7. Masonry dimensions are approximate; sign contractor to verify and adjust as needed. Final dimensions must appear on shop drawings for review and approval.
8. Sign contractor must clean and seal masonry to prevent moisture, discoloration and other defects due to weather and environmental conditions.
9. Sign contractor must submit brick, stone, and mortar samples for review and approval.
10. Sign contractor shall follow any additional requirements presented in the attached Performance Specifications and Design Intent Documents.



EXAMPLE WITH LONGER NAME & ENTRANCE IDENTIFICATION
SCALE: 1/2"=1'

date 09.02.20



13110 Shaker Square, Suite 101
Cleveland, Ohio 44120
guidestudio.com

contact

pm C. Fromet
design K. Fromet

project LON1693

City of Longmont
Wayfinding Program

phase 60% Design Intent revision 0

Facility ID (Monument)
Sign Type #

NOT FOR CONSTRUCTION

These drawings and notes are for the sole purpose of expressing visual design intent and are not intended for actual fabrication purposes. Sign Contractor accepts total responsibility for final material selection, fabrication and installation methods. Electronic files are not construction documents and cannot be relied upon as identical to construction documents because of changes or errors induced by translation, transmission, or alterations while under the control of others. Use of information contained in the electronic files is at the user's sole risk and without liability to Design Professional and its consultants. Refer to provided performance specifications for details on designer expectations of Fabricator and fabrication process.
Copyright © Guide Studio, Inc. All rights reserved.

sheet

27



OPTION 1
SCALE: 1/2"=1'



OPTION 2
SCALE: 1/2"=1'

GENERAL NOTES

1. Sign contractor shall be responsible for design and engineering of supports, anchors and miscellaneous steel or metal required for installation.
2. The sign contractor's structural engineer shall be licensed in the State of Colorado and certify all connections and support details.
3. Isolate dissimilar materials as required.
4. Field dimensions shall be taken by the sign contractor prior to preparation of shop drawings and fabrication wherepossible. It is the responsibility of the sign contractor to site verify all sign locations for accuracy, fit, and potential obstacles. Sign contractor shall notify appropriate person(s) of any issues, discrepancies and potential obstacles per the attached Performance Specifications, contract or specified communication process.
5. It is the responsibility of the sign contractor to contact appropriate organizations to verify locations of underground utilities.
6. Sign contractor must obtain all permits and field inspection approvals necessary to complete work per City requirements. All sign locations need to be located and staked by sign contractor and approved by the City prior to installation.
7. Masonry dimensions are approximate; sign contractor to verify and adjust as needed. Final dimensions must appear on shop drawings for review and approval.
8. Sign contractor must clean and seal masonry to prevent moisture, discoloration and other defects due to weather and environmental conditions.
9. Sign contractor must submit brick, stone, and mortar samples for review and approval.
10. Sign contractor shall follow any additional requirements presented in the attached Performance Specifications and Design Intent Documents.

date 09.02.20

contact

project LON1693

phase 60% Design Intent revision 0

NOT FOR CONSTRUCTION

These drawings and notes are for the sole purpose of expressing visual design intent and are not intended for actual fabrication purposes. Sign Contractor accepts total responsibility for final material selection, fabrication and installation methods. Electronic files are not construction documents and cannot be relied upon as identical to construction documents because of changes or errors induced by translation, transmission, or alterations while under the control of others. Use of information contained in the electronic files is at the user's sole risk and without liability to Design Professional and its consultants. Refer to provided performance specifications for details on designer expectations of Fabricator and fabrication process. Copyright © Guide Studio, Inc. All rights reserved.

sheet



13110 Shaker Square, Suite 101
Cleveland, Ohio 44120
guidestudio.com

pm C. Fromet
design K. Fromet

City of Longmont
Wayfinding Program

Facility ID (Post-Mtd.)
Sign Type #

28



date 09.02.20

Guide

13110 Shaker Square, Suite 101
Cleveland, Ohio 44120
guidestudio.com

contact

pm C. Fromet
design K. Fromet

project LON1693

City of Longmont
Wayfinding Program

phase 60% Design Intent revision 0

Facility ID (Monument)
Sign Type #

NOT FOR CONSTRUCTION

These drawings and notes are for the sole purpose of expressing visual design intent and are not intended for actual fabrication purposes. Sign Contractor accepts total responsibility for final material selection, fabrication and installation methods. Electronic files are not construction documents and cannot be relied upon as identical to construction documents because of changes or errors induced by translation, transmission, or alterations while under the control of others. Use of information contained in the electronic files is at the user's sole risk and without liability to Design Professional and its consultants. Refer to provided performance specifications for details on designer expectations of Fabricator and fabrication process.
Copyright © Guide Studio, Inc. All rights reserved.

sheet

29



date 09.02.20

Guide

13110 Shaker Square, Suite 101
Cleveland, Ohio 44120
guidestudio.com

contact

pm C. Fromet

design K. Fromet

project LON1693

City of Longmont
Wayfinding Program

phase 60% Design Intent revision 0

Facility ID (Post-Mtd.)
Sign Type #

NOT FOR CONSTRUCTION

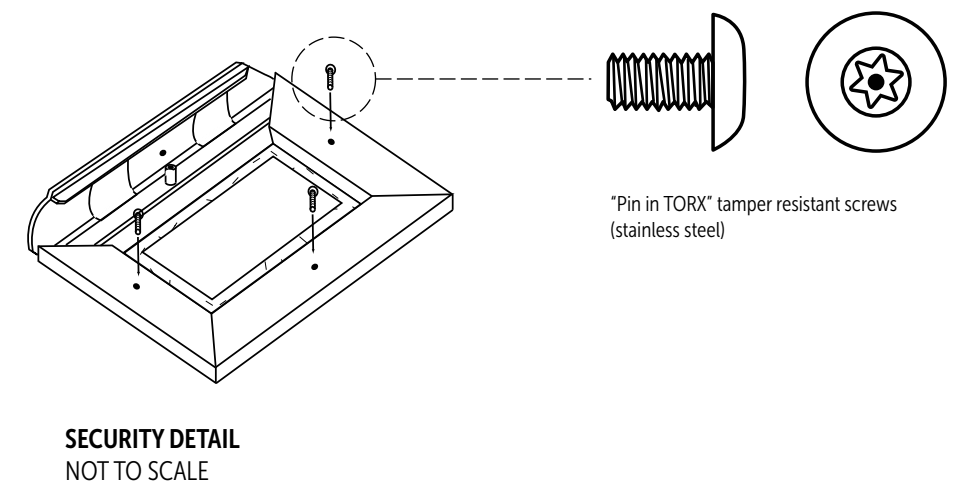
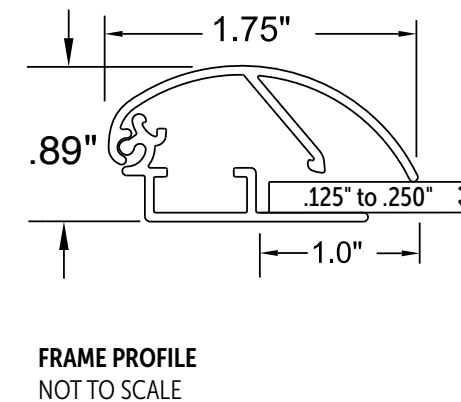
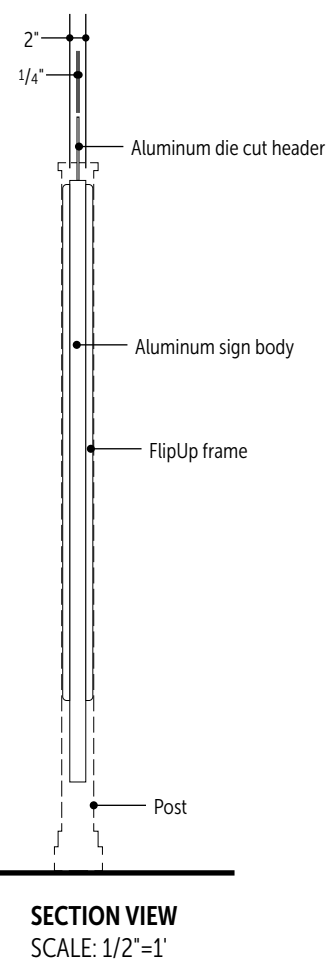
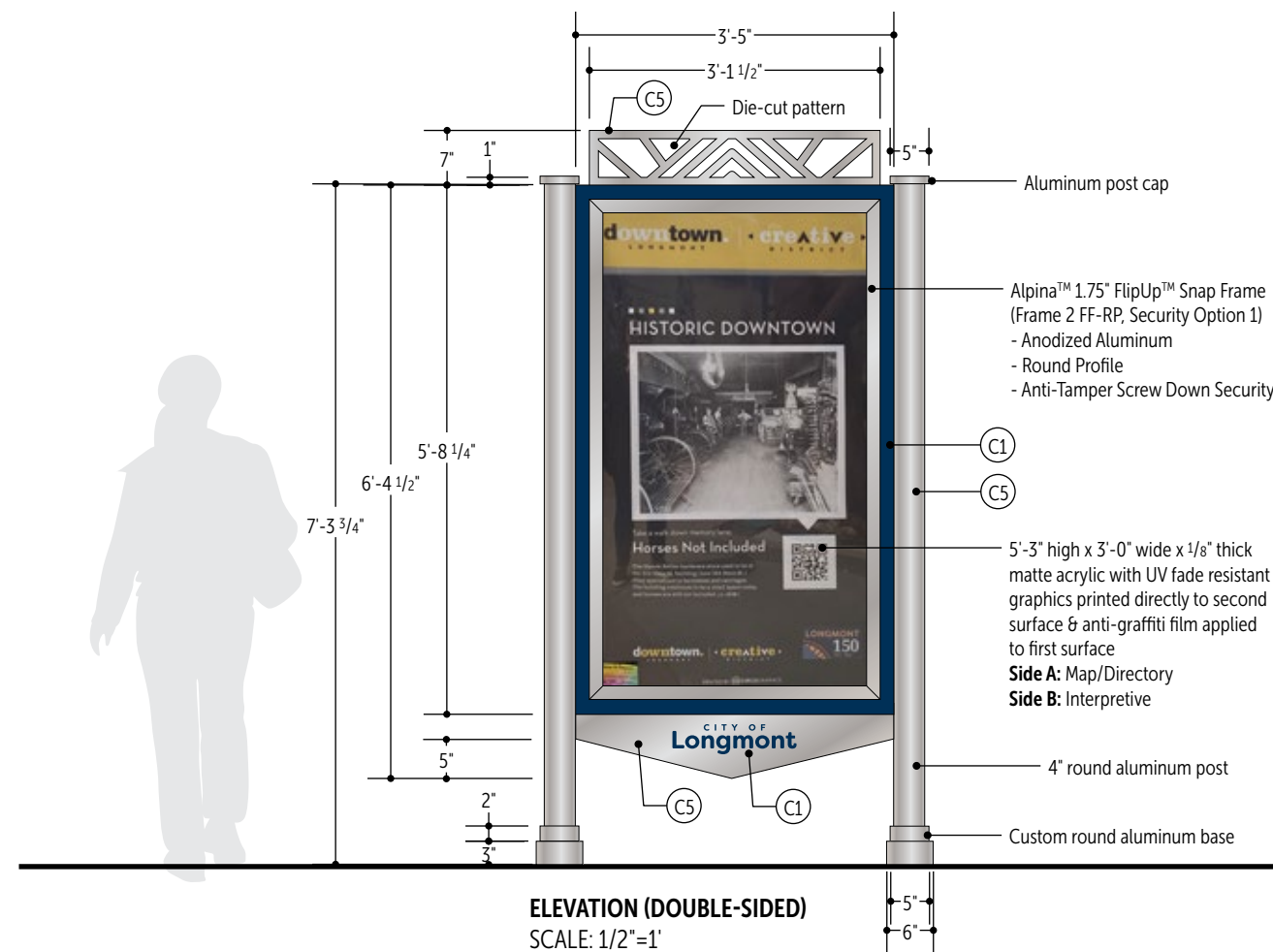
These drawings and notes are for the sole purpose of expressing visual design intent and are not intended for actual fabrication purposes. Sign Contractor accepts total responsibility for final material selection, fabrication and installation methods. Electronic files are not construction documents and cannot be relied upon as identical to construction documents because of changes or errors induced by translation, transmission, or alterations while under the control of others. Use of information contained in the electronic files is at the user's sole risk and without liability to Design Professional and its consultants. Refer to provided performance specifications for details on designer expectations of Fabricator and fabrication process.
Copyright © Guide Studio, Inc. All rights reserved.

sheet

30

GENERAL NOTES

1. Sign contractor shall be responsible for design and engineering of supports, anchors and miscellaneous steel or metal required for installation.
2. The sign contractor's structural engineer shall be licensed in the State of Colorado and certify all connections and support details.
3. Isolate dissimilar materials as required.
4. Field dimensions shall be taken by the sign contractor prior to preparation of shop drawings and fabrication wherepossible. It is the responsibility of the sign contractor to site verify all sign locations for accuracy, fit, and potential obstacles. Sign contractor shall notify appropriate person(s) of any issues, discrepancies and potential obstacles per the attached Performance Specifications, contract or specified communication process.
5. It is the responsibility of the sign contractor to contact appropriate organizations to verify locations of underground utilities.
6. Sign contractor must obtain all permits and field inspection approvals necessary to complete work per City requirements. All sign locations need to be located and staked by sign contractor and approved by the City prior to installation.
7. Masonry dimensions are approximate; sign contractor to verify and adjust as needed. Final dimensions must appear on shop drawings for review and approval.
8. Sign contractor must clean and seal masonry to prevent moisture, discoloration and other defects due to weather and environmental conditions.
9. Sign contractor must submit brick, stone, and mortar samples for review and approval.
10. Sign contractor shall follow any additional requirements presented in the attached Performance Specifications and Design Intent Documents.



date 09.02.20



13110 Shaker Square, Suite 101
Cleveland, Ohio 44120
guidestudio.com

contact

pm C. Fromet
design K. Fromet

project LON1693

City of Longmont
Wayfinding Program

phase 60% Design Intent revision 0

Pedestrian Kiosk
Sign Type #

NOT FOR CONSTRUCTION

These drawings and notes are for the sole purpose of expressing visual design intent and are not intended for actual fabrication purposes. Sign Contractor accepts total responsibility for final material selection, fabrication and installation methods. Electronic files are not construction documents and cannot be relied upon as identical to construction documents because of changes or errors induced by translation, transmission, or alterations while under the control of others. Use of information contained in the electronic files is at the user's sole risk and without liability to Design Professional and its consultants. Refer to provided performance specifications for details on designer expectations of Fabricator and fabrication process. Copyright © Guide Studio, Inc. All rights reserved.

sheet

31



RECOMMENDATION:
Branded Crosswalks

date 09.02.20

Guide

13110 Shaker Square, Suite 101
Cleveland, Ohio 44120
guidestudio.com

contact

pm C. Fromet
design K. Fromet

project LON1693

City of Longmont
Wayfinding Program

phase 60% Design Intent **revision** 0

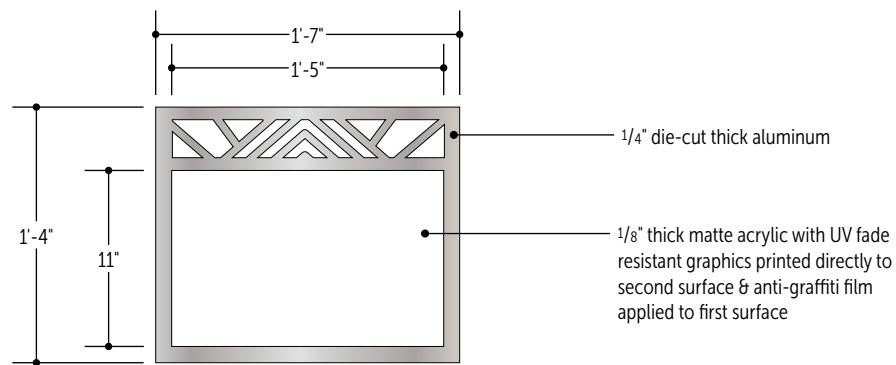
Pedestrian Kiosk
Sign Type #

NOT FOR CONSTRUCTION
These drawings and notes are for the sole purpose of expressing visual design intent and are not intended for actual fabrication purposes. Sign Contractor accepts total responsibility for final material selection, fabrication and installation methods. Electronic files are not construction documents and cannot be relied upon as identical to construction documents because of changes or errors induced by translation, transmission, or alterations while under the control of others. Use of information contained in the electronic files is at the user's sole risk and without liability to Design Professional and its consultants. Refer to provided performance specifications for details on designer expectations of Fabricator and fabrication process.
Copyright © Guide Studio, Inc. All rights reserved.

sheet

32

ALL DIMENSIONS TO BE CONFIRMED

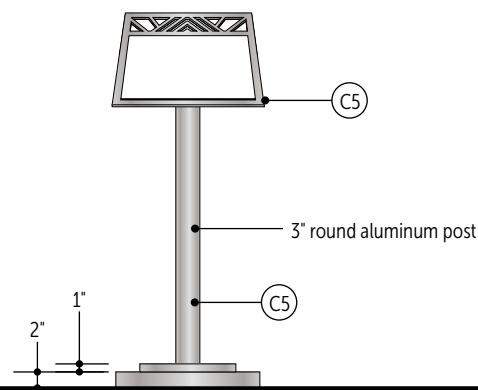


PANEL DETAIL
SCALE: 1/2"=1'

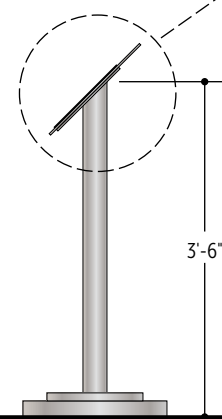


GENERAL NOTES

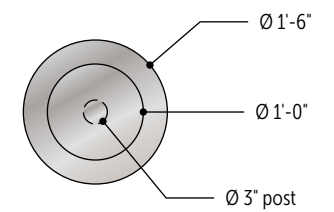
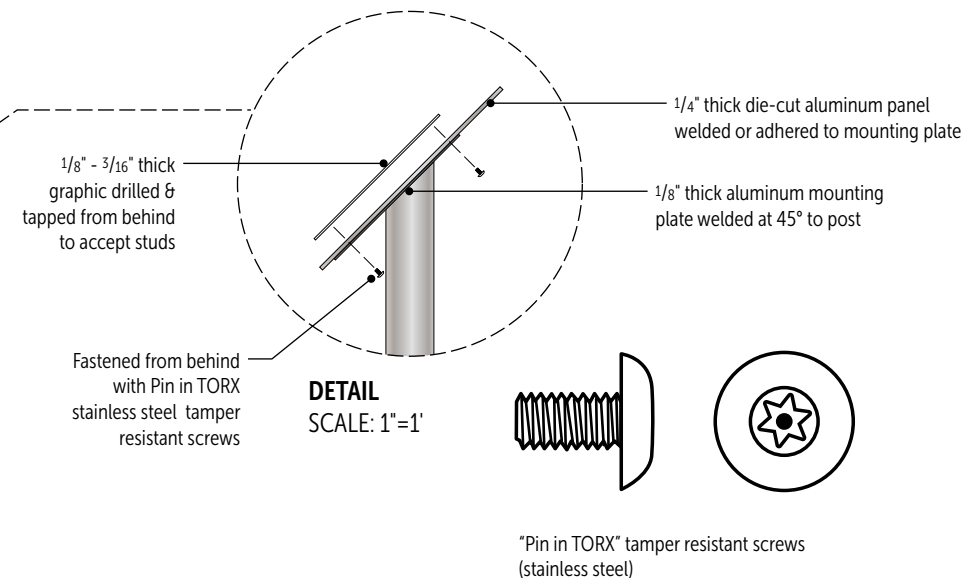
1. Sign contractor shall be responsible for design and engineering of supports, anchors and miscellaneous steel or metal required for installation.
2. The sign contractor's structural engineer shall be licensed in the State of Colorado and certify all connections and support details.
3. Isolate dissimilar materials as required.
4. Field dimensions shall be taken by the sign contractor prior to preparation of shop drawings and fabrication wherepossible. It is the responsibility of the sign contractor to site verify all sign locations for accuracy, fit, and potential obstacles. Sign contractor shall notify appropriate person(s) of any issues, discrepancies and potential obstacles per the attached Performance Specifications, contract or specified communication process.
5. It is the responsibility of the sign contractor to contact appropriate organizations to verify locations of underground utilities.
6. Sign contractor must obtain all permits and field inspection approvals necessary to complete work per City requirements. All sign locations need to be located and staked by sign contractor and approved by the City prior to installation.
7. Masonry dimensions are approximate; sign contractor to verify and adjust as needed. Final dimensions must appear on shop drawings for review and approval.
8. Sign contractor must clean and seal masonry to prevent moisture, discoloration and other defects due to weather and environmental conditions.
9. Sign contractor must submit brick, stone, and mortar samples for review and approval.
10. Sign contractor shall follow any additional requirements presented in the attached Performance Specifications and Design Intent Documents.



ELEVATION
SCALE: 1/2"=1'



SIDE VIEW
SCALE: 1/2"=1'



BASE DETAIL (TOP VIEW)
SCALE: 1/2"=1'

date 09.02.20

Guide

13110 Shaker Square, Suite 101
Cleveland, Ohio 44120
guidestudio.com

contact

pm C. Fromet
design K. Fromet

project LON1693

City of Longmont
Wayfinding Program

phase 60% Design Intent **revision** 0

Interpretive Pedestal
Sign Type #

NOT FOR CONSTRUCTION

These drawings and notes are for the sole purpose of expressing visual design intent and are not intended for actual fabrication purposes. Sign Contractor accepts total responsibility for final material selection, fabrication and installation methods. Electronic files are not construction documents and cannot be relied upon as identical to construction documents because of changes or errors induced by translation, transmission, or alterations while under the control of others. Use of information contained in the electronic files is at the user's sole risk and without liability to Design Professional and its consultants. Refer to provided performance specifications for details on designer expectations of Fabricator and fabrication process.
Copyright © Guide Studio, Inc. All rights reserved.

sheet

33