

SIGN SPECIFICATIONS

RETURNS
 .040 GAUGE ALUMINUM WHITE 3"
BACKS
 3/16" CLEAR LEXAN BACKS
FACES
 WHITE 3/16" ACRYLIC FACES
TRIMCAP
 1" WHITE JEWELITE TRIM CAP

ELECTRICAL SPECIFICATIONS

WHITE LED SINGLE STROKE
 PSA 12-50 LED POWER
 SUPPLY 120 VOLT

COLOR SPECIFICATIONS



7320 W. 52nd Ave.
 Arvada, CO 80002
 303-422-7440
 303-422-2076 fax
 232@fastsigns.com
 fastsigns.com/232

Project:
 CRYSTAL JOYS

Address:
 370 MAIN ST.
 LONGMONT, CO

Dates / Revisions:

6/21/17	
6/27/17	
△	
△	
△	
△	
△	
△	

Scale: AS NOTED, ELSE N.T.S.

Designer: Christine Siebels

Salesperson: JORDAN KLUTH

Approvals:

Client:	
X	_____
Architect:	
X	_____
Landlord:	
X	_____
Project Manager:	
X	_____

This is an original unpublished drawing created by Fastsigns. It is submitted for your approval. It is not to be shown to anyone outside of your organization, nor is it to be reproduced, copied or exhibited in any fashion. The changing of colors, sizes, materials or illumination method does not alter the design. Ownership of this design is held by Fastsigns. Authorization to use this design in any fashion must be obtained in writing from Fastsigns.

Note: The colors depicted in print here are a graphic representation. Actual colors may vary due to printers. See color specifications.

©2017 Fastsigns

Page Title: _____

Page Number: 1 of 1

Design file name:
 37572-ART

A DETAIL - CRYSTAL JOYS'S CHANNEL LETTERS
 AREA: 18.716 SQ. FT; 6.7914 SQ.FT

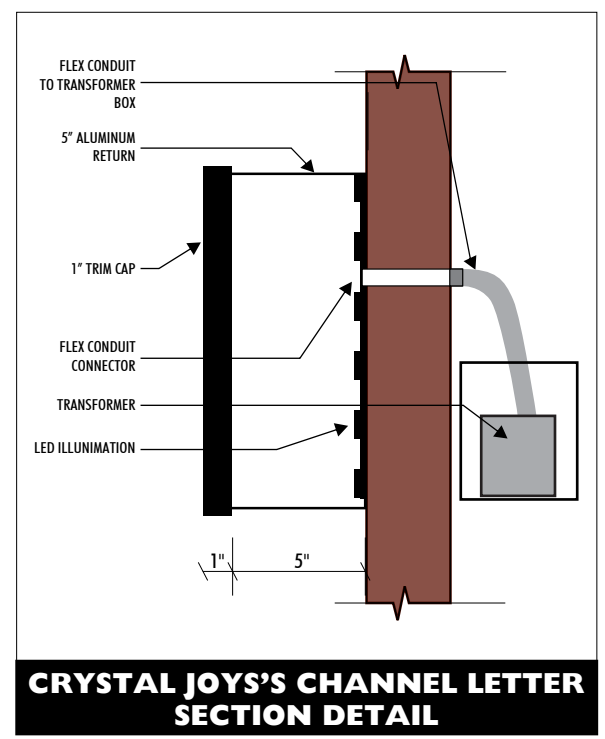
QTY (1)



EXISTING

A ELEVATION - CRYSTAL JOYS'S CHANNEL LETTER SIGN

QTY: (1)



CRYSTAL JOYS'S CHANNEL LETTER SECTION DETAIL

1 SECTION VIEW NOT TO SCALE